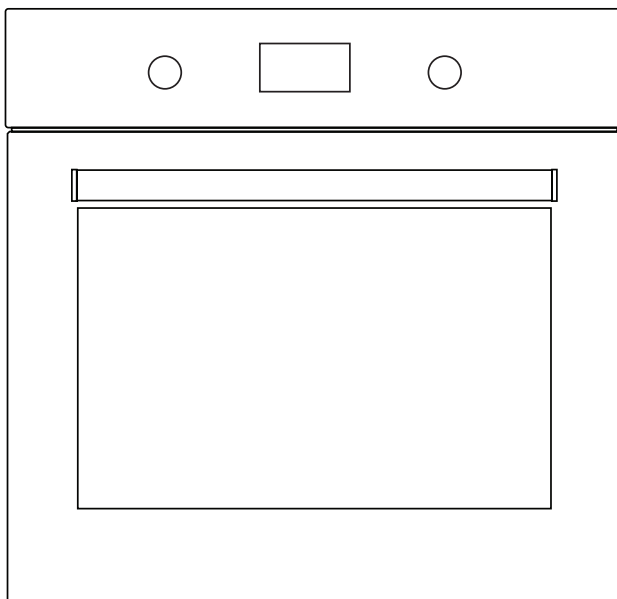


**simfer**

**ELECTRIC BUIT-IN OVEN 60 CM**

**ЭЛЕКТРИЧЕСКИЙ ДУХОВОЙ ШКАФ  
ВСТРАИВАЕМЫЙ 60 CM**

**ЭЛЕКТРЛІК  
КІРІСТІРІЛ ГЕН  
ТҰМШАПЕШ ШКАФЫ 60 CM**



**USER MANUAL  
РУКОВОДСТВО ПО ЭКСПЛУАТАЦИИ  
СӘНДІК АУА СОҒЫ ШТАР**

**Dear Customer,**

Thank you for relying on this product. We aim to allow you to optimally and efficiently use this environment-friendly product produced in our modern facilities under precise conditions with respect to sense of quality in total.

We advise you to read these operating manual thoroughly before using the oven and keep it permanently so that the features of the built-in oven you have purchased will stay the same as the first day for a long time.

**Note:** This operating manual is prepared for multiple models. Your appliance may not feature some functions specified in the manual.

The product images are schematic.

This product has been produced in modern environment-friendly facilities without adversely affecting nature.

Products marked with (\*) are optional.


**"Complies with WEEE Regulation"**

## Contents

Important warnings.....	4
Electrical connection.....	12
Introducing the appliance.....	13
Accessories.....	14
Technical specifications.....	15
Installation of appliance.....	15
Control panel.....	21
Using the oven.....	23
Using the grill.....	24
Using the chicken roasting.....	24
Program types.....	25
Cooking recommendations.....	26
Cooking table.....	27
Baking with pizza stone.....	28
Maintenance and cleaning.....	29
Steam cleaning.....	29
Cleaning and mounting oven door.....	30
Cleaning oven glass.....	31
Catalytic panel.....	32
Rack positions.....	32
Replacing oven lamp.....	32
Troubleshooting.....	33
Handling rules.....	35
Recommendations for energy saving.....	35
Environmentally-friendly disposal.....	36
Package information.....	36

## IMPORTANT WARNINGS

1. Installation and repair should always be performed by **“AUTHORIZED SERVICE”**. Manufacturer shall not be held responsible for operations performed by unauthorized persons.
2. Please read this operating instructions carefully. Only by this way you can use the appliance safely and in a correct manner.
3. The oven should be used according to operating instructions.
4. Keep children below the age of 8 and pets away when operating.
5. **The accessible parts may be hot during use. Young children must be kept away.**
6. **WARNING: Danger of fire: do not store items on the cooking surfaces.**
7. **WARNING: During use the appliance becomes hot. Care should be taken to avoid touching heating elements inside the oven.**
8. Setting conditions of this device are specified on the label. (Or on the data plate)
9. The accessible parts may be hot when the grill is used. Small children should be kept away.
10. **WARNING: This appliance is intended for cooking. It should not be used for other purposes like heating a room.**
11. To clean the appliance, do not use steam cleaners.



**12.** Ensure that the oven door is completely closed after putting food inside the oven.

**13.** NEVER try to put out the fire with water. Only shut down the device circuit and then cover the flame with a cover or a fire blanket.

**14. WARNING: Children less than 8 years of age shall be kept away unless continuously supervised.**

**15.** Touching the heating elements should be avoided.

**16. CAUTION: Cooking process shall be supervised. Cooking process shall always be supervised.**

**17.** This appliance can be used by children aged from 8 years and above and persons with reduced physical, sensory or mental capabilities or lack of experience and knowledge if they have been given supervision or instruction concerning use of the appliance in a safe way and understand the hazards involved. Children shall not play with the appliance. Cleaning and user maintenance shall not be made by children without supervision.

**18.** This device has been designed for household use only.

**19.** Children must not play with the appliance. Cleaning or user maintenance of the appliance shall not be performed by children unless they are older than 8 years and supervised by adults.

**20.** Keep the appliance and its power cord away from children less than 8 years old.

**21.** Put curtains, tulle, paper or any flammable (ignitable) material away from the appliance before starting to use the appliance. Do not put ignitable or flammable materials on or in the appliance.

**22.** Keep the ventilation channels open.

**23.** The appliance is not suitable for use with an external timer or a separate remote control system.

**24.** Do not heat closed cans and glass jars. The pressure may lead jars to explode.

**25.** Oven handle is not a towel drier. Do not hang towels, etc. on the oven handle.

**26.** Do not place the oven trays, plates or aluminium foils directly on the oven base. The accumulated heat may damage the base of the oven.

**27.** While placing food to or removing food from the oven, etc., always use heat resistant oven gloves.

**28.** Do not use the product in states like medicated and/or under influence of alcohol which may affect your ability of judgement.

**29.** Be careful when using alcohol in your foods. Alcohol will evaporate at high temperatures and may catch fire to cause a fire if it comes in contact with hot surfaces.

**30.** After each use, check if the unit is turned off.

**31.** If the appliance is faulty or has a visible damage, do not operate the appliance.

**32.** Do not touch the plug with wet hands. Do not pull the cord to plug off, always hold the plug.

**33.** Do not use the appliance with its front door glass removed or broken.

**34.** Place the baking paper together with the food into a pre-heated oven by putting it inside a cooker or on an oven accessory. (tray, wire grill etc.)

**35.** Do not put objects that children may reach on the appliance.

**36.** It is important to place the wire grill and tray properly on the wire racks and/or correctly place the tray on the rack. Place the grill or tray between two rails and make sure it is balanced before putting food on it.

**37.** Against the risk of touching the oven heater elements, remove excess parts of the baking paper that hang over from the accessory or container.

**38.** Never use it at higher oven temperatures than the maximum usage temperature indicated on your baking paper. Do not place the baking paper on the base of the oven. Against the risk of touching the oven heater elements, remove excess parts of the baking paper that hang over from the accessory or container.

**39.** When the door is open, do not place any heavy object on the door or allow children to sit on it. You may cause the oven to overturn or the door hinges to be damaged.

**40.** The packaging materials are dangerous for children. Keep packaging materials away from the reach of children.

**41.** Do not use abrasive cleaners or sharp metal scrapers to clean the glass as the scratches that may occur on the surface of the door glass may cause the glass to break.

**42.** User should not handle the oven by himself.

**43.** During usage, the internal and external surfaces of the oven get hot. As you open the oven door, step back to avoid the hot vapour coming out from the interior. There is risk of burning.

**44.** Do not place heavy objects when oven door is open, risk of toppling.

**45.** Oven supply can be disconnected during any construction work at home. After completing the work, re-connecting the oven shall be done by authorized service.

**46.** User should not dislocate the resistance during cleaning. It may cause an electric shock.

**47.** To prevent overheating, the appliance should not be installed behind of a decorative cover.

**48.** Turn off the appliance before removing the safeguards. After cleaning, install the safeguards according to instructions.

**49.** Cable fixing point shall be protected.

**50.** Please don't cook the food directly on the tray / grid. Please put the food into or on appropriate tools before putting them in the oven.



## Electrical Safety

1. Plug the appliance in a grounded socket protected by a fuse conforming to the values specified in the technical specifications chart.
2. Have an authorized electrician set grounding equipment. Our company shall not be responsible for the damages that shall be incurred due to using the product without grounding according to local regulations.
3. The circuit breaker switches of the oven shall be placed so that end user can reach them when the oven is installed.
4. The power supply cord (the cord with plug) shall not contact the hot parts of the appliance.
5. If the power supply cord (the cord with plug) is damaged, this cord shall be replaced by the manufacturer or its service agent or an equally qualified personnel to prevent a hazardous situation.
6. Never wash the appliance by spraying or pouring water on it. There is a risk of electrocution.
7. **WARNING: To avoid electric shock, ensure that the device circuit is open before changing the lamp.**
8. **WARNING: Cut off all supply circuit connections before accessing the terminals.**
9. Do not use cut or damaged cords or extension cords other than the original cord.
10. Make sure that there is no liquid or humidity in the outlet where the product plug is installed.

**11.** The rear surface of the oven also heats up when the oven is operated. Electrical connections shall not touch the rear surface, otherwise the connections may be damaged.

**12.** Do not tighten the connecting cables to the oven door and do not run them over hot surfaces. If the cord melts, this may cause the oven to short circuit and even a fire.

**13.** Unplug the unit during installation, maintenance, cleaning and repair.


**14.** If the power supply cable is damaged, it must be replaced by its manufacturer or authorized technical service or any other personnel qualified at the same level, in order to avoid any dangerous situation.

**15.** Make sure the plug is inserted firmly into wall socket to avoid sparks.

**16.** Do not use steam cleaners for cleaning the appliance, otherwise electric shock may occur.

**17.** An omnipolar switch capable to disconnect power supply is required for installation. Disconnection from power supply shall be provided with a switch or an integrated fuse installed on fixed power supply according to building code.

**18.** Appliance is equipped with a **type “Y”** cord cable.



**19.** Fixed connections shall be connected to a power supply enabling omnipolar disconnection. For appliances with over voltage category below III, disconnection device shall be connected to fixed power supply according to wiring code.

### **Intended Use**

**1.** This product has been designed for domestic use. Commercial use is not permitted.

**2.** This appliance may only be used for cooking purposes. It shall not be used for other purposes like heating a room.

**3.** This appliance shall not be used to heat plates under the grill, drying clothes or towels by hanging them on the handle or for heating purposes.

**4.** The manufacturer assumes no responsibility for any damage due to misuse or mishandling.

**5.** Oven part of the unit may be used for thawing, roasting, frying and grilling food.

**6.** Operational life of the product you have purchased is 10 years. This is the period for which the spare parts required for the operation of this product as defined is provided by the manufacturer.

## Electrical Connection

This oven must be installed and connected to its place correctly according to manufacturer instructions and by an authorized service.

Appliance must be installed in an oven enclosure providing high ventilation.

Electrical connections of the appliance must be made only via sockets having earth system furnished in compliance with rules. Contact an authorized electrician if there is no socket complying with the earthed system at where appliance will be placed. Manufacturing company is by no means responsible for damage resulting from connection of non-earthed sockets to appliance.

Plug of your oven must be earthed; ensure that socket for the plug is earthed. Plug must be located in a place that can be accessed after installation.

Your oven has been manufactured as 220-240 V 50/60 Hz. AC power supply compliant and requires a 16 Amp fuse. If your power network is different that these indicated values, refer to an electrician or your authorized service.

When you need to replace the electrical fuse, please ensure that electrical connection is made as follows:

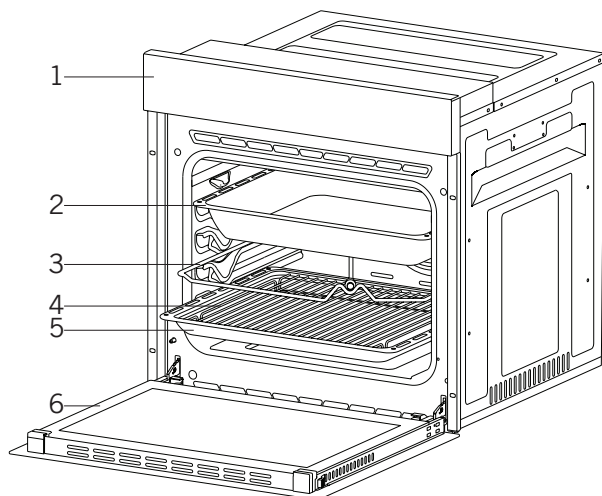
- Phase (to live terminal) brown cable
- Blue cable to neutral terminal
- Yellow-green cable to earth terminal

Oven disconnecting switches must be in an accessible place for final user while oven is in its place.

Power supply cable (plug in cable) mustn't touch hot parts of the appliance.

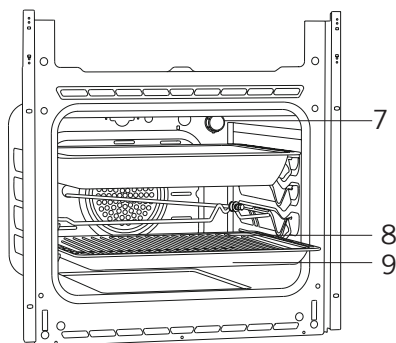
If supply cord (plug in cable) is damaged, this cord must be replaced by the importer or its service agent or an equally competent personnel to prevent a hazardous situation.

## INTRODUCING THE APPLIANCE



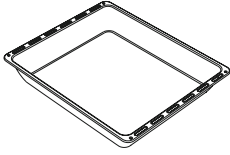
- 1. Control panel
- 2. Deep tray \*
- 3. Roast chicken skewer \*

- 4. In tray wire grill
- 5. Standard tray
- 6. Oven door



- 7. Lamp
- 8. In tray wire grill
- 9. Standard tray

## Accessories (optional)



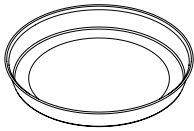
### Deep tray \*

Used for pastry, big roasts, watery foods. It can also be used as oil collecting container if you roast directly on grill with cake, frozen foods and meat dishes.



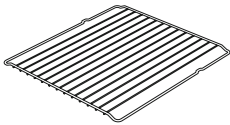
### Tray / Glass tray \*

Used for pastry (cookie, biscuit etc.), frozen foods.



### Circular tray \*

Used for pastry frozen foods.



### Wire grill

Used for roasting or placing foods to be baked, roasted and frozen into desired rack.



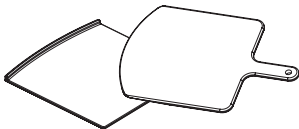
### Telescopic rail \*

Trays and wire racks can be removed and installed easily thanks to telescopic rails.



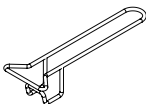
### In tray wire grill \*

Foods to stick while cooking such as steak are placed on in tray grill. Thus contact of food with tray and sticking are prevented.



### Pizza stone and peel \*

They are used for baking pastries such as pizza, bread, pancake and removing baked food from the oven.



### Tray handle \*

It is used to hold hot trays.

## Technical Specifications

Specifications	60 cm Built-in oven (MFA1-6.....)			
Lamp power	15-25 W			
Thermostat	40-240 / Max °C			
Lower heater	1200 W			
Upper heater	1000 W			
Turbo heater	1800 W			
Grill heater	Small grill	1000 W	Big grill	2000 W
Supply voltage	220V-240 V 50/60 Hz.			

Specifications	60 cm Built-in oven (MFA1-8.....)			
Lamp power	15-25 W			
Thermostat	40-240 / Max °C			
Lower heater	1200 W			
Upper heater	1200 W			
Turbo heater	1800 W			
Grill heater	Small grill	1200 W	Big grill	2400 W
Supply voltage	220V-240 V 50/60 Hz.			

Technical specifications can be changed without prior notice to improve product quality.

The values provided with the appliance or its accompanying documents are laboratory readings in accordance with the respective standards. These values may differ depending on the use and ambient conditions.

Figures in this guide are schematic and may not be exactly match your product.

### INSTALLATION OF APPLIANCE

Ensure that electrical installation is suitable for operationalising the appliance. If not, call an electrician and plumber to make necessary arrangements. Manufacturing firm can't be hold responsible for damages to arise due to operations by unauthorized people and product warranty becomes void.

**WARNING:** It is customer's responsibility to prepare the location the product shall be placed on and also have power utility prepared.

**WARNING:** The rules about electrical local standards must be adhered to during product installation.

**WARNING:** Check for any damage on the product before installing it. Do not have product installed if it's damaged. Damaged products pose danger for your safety.

### Important Warnings for Installation:



Figure 1

Cooling fan shall take extra steam out and prevent outer surfaces of appliance from overheating during operation of oven. This is a necessary condition for better appliance operation and better cooking. Cooling fan shall continue operation after cooking is finished. Fan shall automatically stop after cooling is completed.

A clearance must be left behind the enclosure where you'll place the appliance for efficient and good operation.

This clearance shouldn't be ignored as it's required for ventilation system of the appliance to operate.

### Right Place For Installation

Product has been designed to be mounted to worktops procured from market. A safe distance must be left between the product and kitchen walls or furniture. See the drawing provided on the next page for proper distances. (values in mm).

- Used surfaces, synthetic laminates and adhesives must be heat resistant. (minimum 100 °C)
- Kitchen cupboards must be level with product and secured.
- If there is a drawer below the oven, a rack must be placed between oven and drawer.

**WARNING:** Do not install the product next to refrigerators or coolers. The heat emitted by the product increases the energy consumption of cooling devices.

**WARNING:** Do not use door and/or handle to carry or move the product.



## **60 cm Built-In Oven Installation And Mounting**

Place of use for product must be located before starting installation.

Product mustn't be installed in places which are under the effect of strong air flow.

Carry the product with minimum two people. Do not drag the product so that floor isn't damaged.

Remove all transportation materials inside and outside the product. Remove all materials and documents in the product.

### **Installation Under Counter**

Cabin must match the dimensions provided in figure 2.

A clearance must be provided at the rear part of the cabin as indicated in the figure so that necessary ventilation can be achieved.

After mounting, the clearance between lower and upper part of the counter is indicated in figure 5 with "A". It's for ventilation and shouldn't be covered.

### **Installation In An Elevated Cabinet**

Cabin must match the dimensions provided in figure 4.

The clearances with the dimensions indicated in the figure must be provided at the rear part of cabin, upper and lower sections so that necessary ventilation can be achieved.

### **Installation Requirements**

Product dimensions are provided in the figure 3.

Furniture surfaces for mounting and mounting materials to be used must have a minimum temperature resistance of 100 °C.

Mounting cabin must be secured and its floor must be plane for product not to tilt over.

Cabin floor must have a minimum strength that would handle a load of 60 kg.

### **Placing And Securing The Oven**

Place the oven into the cabin with two or more people.

Ensure that oven's frame and front edge of the furniture match uniformly.

Supply cord mustn't be under the oven, squeeze in between oven and furniture or bend.

Fix the oven to the furniture by using the screws provided with the product. Screws must be mounted as shown in figure 5 by passing them through plastics attached to frame of the product. Screws mustn't be overtightened. Otherwise, screw sockets might be worn.

Check that oven doesn't move after mounting. If oven isn't mounted in accordance with instructions, there is a risk of tilt over during operation.

### **Electrical Connection**

Mounting place of the product must have appropriate electrical installation.

Network voltage must be compatible with the values provided on type label of product.

Product connection must be made in accordance with local and national electrical requirements.

Before starting the mounting disconnect network power. Do not connect the product to network until its mounting is completed.

### **Mounting**



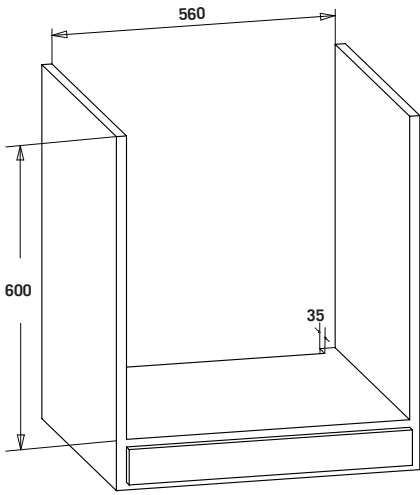


Figure 2



Figure 3

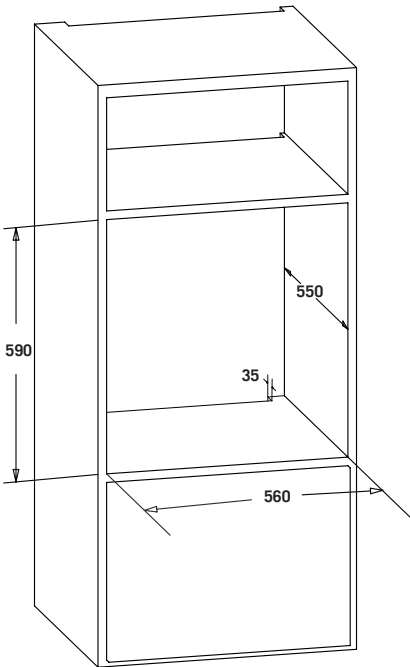
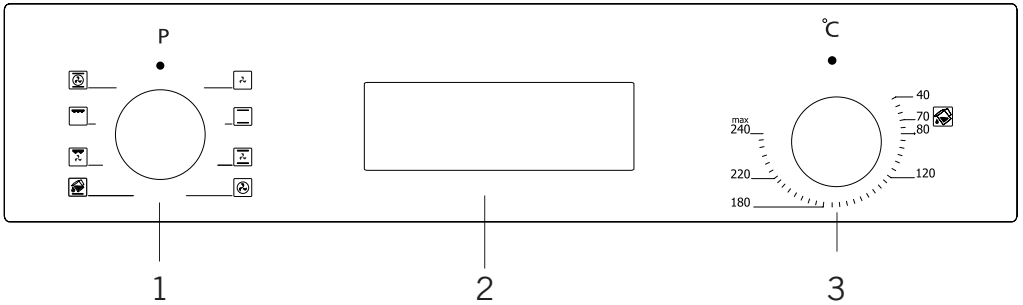


Figure 4



Figure 5

**CONTROL PANEL**

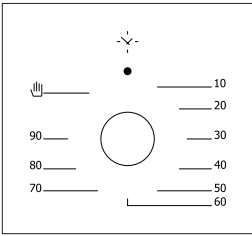


1. Function button
2. Mechanical or digital timer
3. Thermostat

**WARNING:** The control panel above is only for illustration purposes. Consider the control panel on your device.



**Thermostat Button:** Helps to set cooking temperature of the food to be cooked in the oven. You can set the desired temperature by turning the button after placing the food into the oven. Check cooking table related to cooking temperatures of different foods.



**Mechanical Timer Button \*:** Helps to set time for the food to be cooked in the oven. Timer de-energizes the heaters when set time expires and warns you by ringing. See cooking table for cooking times.

### Using Pop-up Button \*

Adjustment can be made only when button is popped for models with pop-up button.



Make sure that button is popped by pressing on the button as shown in the figure at left side.



You can make necessary adjustments by turning right or left when button is popped enough.

## USING THE OVEN

### Initial Use Of Oven

Here are the things you must do at first use of your oven after making its necessary connections as per instructions:

1. Remove labels or accessories attached inside the oven. If any, take out the protective folio on front side of the appliance.
2. Remove dust and package residues by wiping inside of the oven with a damp cloth. Inside of oven must be empty. Plug the cable of appliance into the electrical socket.
3. Set the thermostat button to the temperature 180-200 °C and run the oven for 30 minutes with its door closed. Meanwhile a slight smoke and smell might occur and that's a normal situation.
4. Wipe inside of the oven with a slightly warm water with detergent after it becomes cold and then dry with a clean cloth. Now you can use your oven.

### Normal Use Of Oven

1. Adjust thermostat button and temperature at which you want to cook the food to start cooking.
2. On models with a mechanical timer\*, you can set the desired cooking time using the timer control. After the set time has expired, the timer turns off the heaters and makes a characteristic sound.
3. On models with a digital programmer\* you can set the desired cooking time on the programmer display. After the set time has elapsed, the timer turns off the heaters and emits a sound signal.
4. On models with a digital timer\* you can set the desired cooking time on the timer display. When the set time has elapsed, the timer beeps (without turning off the oven heaters). If you need to end cooking, use the thermostat control to turn off the oven.
5. After the cooking procedure is completed, the appliance's cooling system will continue to operate. Do not turn off the power to the device until the device has completely cooled down in this mode. Once cooling is complete, the system will turn off automatically.

(\*) Check the type of timer with the seller before purchasing

## Using The Grill

1. When you place the grill on the top rack, the food on the grill shall not touch the grill.
2. You can preheat for 5 minutes while grilling. If necessary, you may turn the food upside down.
3. Food shall be in the center of the grill to provide maximum air flow through the oven.

### To turn on the grill;

1. Place the function button over the grill symbol.
2. Then, set it to the desired grill temperature.

### To turn the grill off;

Set the function button to the off position.

**WARNING:** Keep the oven door closed while grilling.

## Using The Chicken Roasting \*

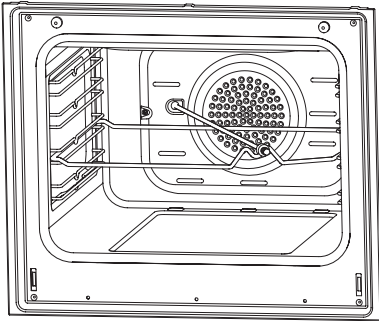
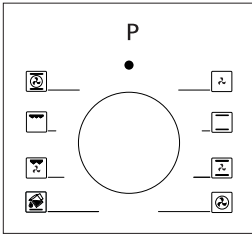


Figure 6

Place the spit on the frame. Slide turn spit frame into the oven at the desired level. Locate a dripping pan through the bottom in order to collect the fat. Add some water in dripping pan for easy cleaning. Do not forget to remove plastic part from spit. After grilling, screw the plastic handle to the skewer and take out the food from oven.



## PROGRAM TYPES



**Program Button:** Helps to set with which heaters the food placed in oven will be cooked. Heater program types in this button and their functions are stated below. Every model might not have all heater types and thus program types of these heaters.

Heating program types in your appliance and important explanations of them are provided below for you can cook different foods appealing to your taste.

	Lower and upper heating Elements		Fan
	Lower heating element and fan		Turbo heater and fan
	Grill and roast chicken		Lower-upper heating element and fan
	Upper heating element and fan		Grill and fan
	Multifunctional cooking (3D)		Grill
	Lower heating element		Upper heating element
	Small grill and fan		Steam cleaning

**Lower heating element:** Select this program towards end of cooking time if lower part of the food cooked will be roasted.

**Upper heating element:** Used for post heating or roasting very little pieces of foods.

**Lower and upper heating elements:** A program that can be used for cooking foods like cake, pizza, biscuit and cookie.

**Lower heating element and fan:** Use mostly for cooking foods like fruit cake.

**Lower and upper heating element and fan:** The program suitable for cooking foods like cakes, dried cakes, lasagne. Suitable for cooking meat dishes, as well.

**Grill:** Grill cooker is used for grilling meat like foods such as steak, sausage and fish. While grilling, tray should be placed in the lower rack and water must be placed in it.

**Turbo heater and fan:** Suitable for baking and roasting. Keep heat setting lower than "Lower and Upper Heater" program since heat is conveyed immediately via air flow.

**Grill and fan:** Suitable for cooking meat type foods. Do not forget to place a cooking tray in a lower rack inside the oven and a little water in it while grilling.

**Multi Functional Cooking (3D):** Suitable for baking and roasting. Lower and upper heaters operate as well as quick transmission of heat via air flow. Suitable for cooking requiring single tray and intense heat.

### **COOKING RECOMMENDATIONS**

You can find in the following table the information of food types which we tested and identified their cooking values in our labs. Cooking times can vary depending on the network voltage, quality of material to be cooked, quantity and temperature. Dishes to cook by using these values might not appeal to your taste. You can set various values for obtaining different tastes and results appealing to your taste by making tests.

**WARNING:** Oven must be preheated for 7-10 minutes before placing the food in it.

## Cooking Table

MFA1-6..... :

Food	Cooking function	Cooking temperature (°C)	Cooking rack	Cooking time (min.)
Cake	Static / Static+fan	170-180	2-3	35-45
Small cake	Static / Turbo+fan	170-180	2	25-30
Pie	Static / Static+fan	180-200	2	35-45
Pastry	Static	180-190	2	20-25
Cookie	Static	170-180	2	20-25
Apple pie	Static / Turbo+fan	180-190	1	50-70
Sponge cake	Static	200/150 *	2	20-25
Pizza	Static fan	180-200	3	20-30
Lasagne	Static	180-200	2-3	25-40
Meringue	Static	100	2	50
Grilled chicken **	Grill+fan	200-220	3	25-35
Grilled fish **	Grill+fan	200-220	3	25-35
Calf steak **	Grill+fan	Max	4	15-20
Grilled meatball **	Grill+fan	Max	4	20-25

\* Do not preheat. First half of cooking time is recommended to be at 200 °C de while the other half at 150 °C.

\*\* Food must be turned after half of the cooking time.

## MFA1-8..... :

Food	Cooking function	Cooking temperature (°C)	Cooking rack	Cooking time (min.)
Cake	Static / Static+fan	170-180	2-3	30-35
Small cake	Static / Turbo+fan	170-180	2-3	25-30
Pie	Static / Static+fan	180-200	2-3	30-35
Pastry	Static	180-190	2	25-30
Cookie	Static / Turbo+fan	170-180	2-3	20-30
Apple pie	Static / Turbo+fan	180-190	2-3	40-50
Sponge cake	Static / Turbo+fan	200/150 *	2-3	25-30
Pizza	Static / Turbo+lower	180-200	3	20-30
Lasagne	Static	180-200	2-3	20-25
Meringue	Static / Lower-upper+fan	100	2-3	60-70
Grilled chicken **	Grill / Lower-upper+fan	200-220	2-3	25-30
Grilled fish **	Grill	190-200-220	3-4	20-25
Calf steak **	Grill	230	5	25-30
Grilled meatball **	Grill	230	5	20-35

\* Do not preheat. First half of cooking time is recommended to be at 200 °C de while the other half at 150 °C.

\*\* Food must be turned after half of the cooking time.

### Baking With Pizza Stone

When baking with pizza stone, place pizza stone over wire rack and pre-heat the oven in pizza mode (turbo + lower) at 230 °C for 30 minutes. Once pre-heating is completed, without removing pizza stone put pizza over it with the peel (do not place frozen pizza) and bake at 180 °C for 20-25 minutes. Once baking is completed, remove the baked pizza from the oven using the peel.

**WARNING:** Do not place pizza stone in a pre-heated oven.

**WARNING:** Once baking is completed, do not remove pizza stone when it is hot and do not place on cold surfaces. Otherwise, pizza stone can be cracked.

**WARNING:** Do not expose pizza stone to humidity.

## MAINTENANCE AND CLEANING

1. Remove the power plug from electrical socket.
2. Do not clean inner parts, panel, trays and other parts of the product with hard tools such as bristle brush, wire wool or knife. Do not use abrasive, scratching materials or detergent.
3. Rinse after wiping the parts at inner parts of the product with soapy cloth, then dry thoroughly with a soft cloth.
4. Clean glass surfaces with special glass cleaning material.
5. Do not clean your product with steam cleaners.
6. Never use combustibles like acid, thinner and gas while cleaning your product.
7. Do not wash any part of the product in dishwasher.
8. Use potassium stearate (soft soap) for dirt and stains.

### Steam Cleaning \*



Figure 7

It enables cleaning the soils softened thanks to the steam to be generated in the oven.

1. Remove all the accessories in the oven.
2. Pour a half litre of water into the tray and Place the tray at the bottom of the boiler.
3. Set the switch to the steam cleaning mode.
4. Set the thermostat to 70 °C degrees and operate the oven for 30 minutes.

5. After operating the oven for 30 minutes, open the oven door and wipe the inner surfaces with a wet cloth.
6. Use dish-washing liquid, warm water and a soft cloth for stubborn dirt, then dry off the area you have just cleaned with a dry cloth.

## Cleaning And Mounting Oven Door



Figure 8



Figure 9

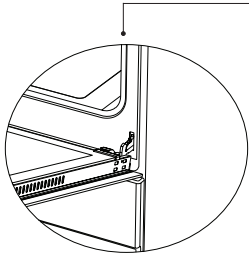


Figure 8.1

Open the door fully by pulling the oven door toward yourself. Then perform unlock operation by pulling the hinge lock upwards with the aid of screwdriver as indicated in **figure 8.1**.

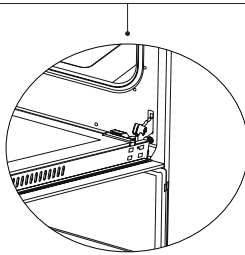


Figure 8.2

Set the hinge lock to the widest angle as in **figure 8.2**. Adjust both hinges connecting oven door to the oven to the same position.

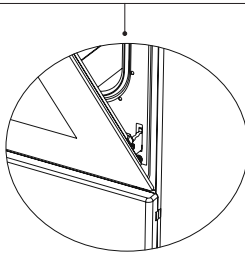


Figure 9.1

Later, close the opened oven door so that it will be in a position to contact with hinge lock as in **figure 9.1**.

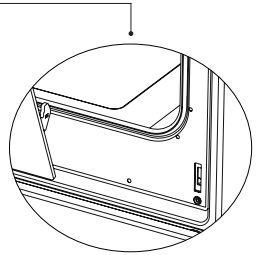


Figure 9.2

For easier removal of oven door, when it comes close to closed position, hold the cover with two hands as in **figure 9.2** and pull upwards.

Reversely perform respectively what you did while opening door to reinstall oven door back.

## Cleaning Oven Glass

Lift by pressing on plastic latches on left and right side as shown in figure 10 and pulling the profile toward yourself as in figure 11. Glass is released after profile is removed as shown in figure 12. Remove the released glass by pulling toward yourself carefully. Outer glass is fixed to oven door profile. You can perform glass cleaning easily after glasses are released. You can mount glasses back by performing the operations reversely after cleaning and maintenance are completed. Ensure that profile is seated properly in place.

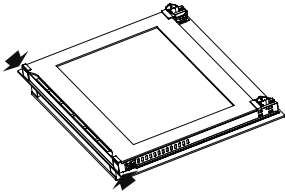


Figure 10

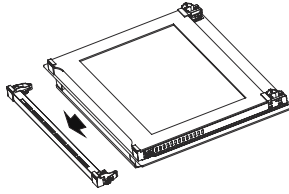


Figure 11

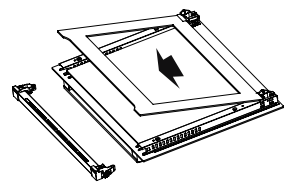


Figure 12

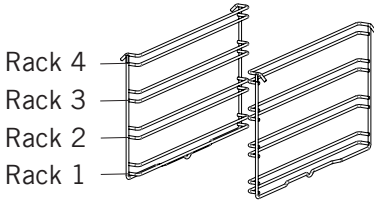
## Catalytic Panel \*

It is located behind the wire racks of the oven, at the right and left walls of oven cavity. Catalytic panel removes offensive odour and provides using your appliance at its best performance. Over time, oil and food odours permeate into enamelled oven walls and heating elements. Catalytic panel absorbs any food and oil odours, and burns them during cooking to clean your oven.

### Detaching catalytic panel

To remove catalytic panel; first remove the wire racks. Once wire racks are removed, catalytic panel will be free. It is advised to replace the catalytic panel once every 2-3 years.

## Rack Positions



It is important to place the wire grill into the oven properly. Do not allow wire rack to touch rear wall of the oven. Rack positions are shown in the next figure. You may place a deep tray or a standard tray in the lower and upper wire racks.

## Installing and removing wire racks

To remove wire racks, press the clips shown with arrows in the figure, first remove the lower, and then the upper side from installation location. To install wire racks; reverse the procedure for removing wire rack.

## Replacing Oven Lamp

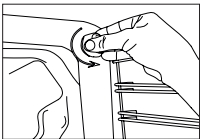
**WARNING:** To avoid electric shock, ensure that the appliance circuit is open before changing the lamp. (having circuit open means power is off) First disconnect the power of appliance and ensure that appliance is cold.

Remove the glass protection by turning as indicated in the figure on the left side. If you have difficulty in turning, then using plastic gloves will help you in turning.

Then remove the lamp by turning, install the new lamp with same specifications.

Reinstall glass protection, plug the power cable of appliance into electrical socket and complete replacement. Now you can use your oven.

### Type G9 Lamp



220-240 V, AC  
15-25 W

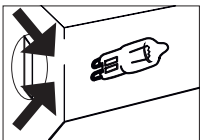
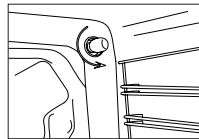


Figure 13

### Type E14 Lamp



220-240 V, AC  
15 W



Figure 14



## TROUBLESHOOTING

You may solve the problems you may encounter with your product by checking the following points before calling the technical service.

### Check Points

In case you experience a problem about the oven, first check the table below and try out the suggestions.

Problem	Possible Cause	What to Do
Oven does not operate.	Power supply not available.	Check for power supply.
Oven stops during cooking.	Plug comes out from the wall socket.	Re-install the plug into wall socket.
Turns off during cooking.	Too long continuous operation.	Let the oven cool down after long cooking cycles.
	Cooling fan not operating.	Listen the sound from the cooling fan.
	Oven not installed in a location with good ventilation.	Make sure clearances specified in operating instructions are maintained.
	More than one plugs in a wall socket.	Use only one plug for each wall socket.
Outer surface of the oven gets very hot during operation.	Oven not installed in a location with good ventilation.	Make sure clearances specified in operating instructions are maintained.
Oven door is not opening properly.	Food residues jammed between the door and internal cavity.	Clean the oven well and try to re-open the door.
Internal light is dim or does not operate.	Foreign object covering the lamp during cooking.	Clean internal surface of the oven and check again.
	Lamp might be failed.	Replace with a lamp with same specifications.
Electric shock when touching the oven.	No proper grounding.	Make sure power supply is grounded properly.
	Ungrounded wall socket is used.	

<b>Problem</b>	<b>Possible Cause</b>	<b>What to Do</b>
<b>Water dripping.</b>	Water or steam may generate under certain conditions depending on the food being cooked. This is not a fault of the appliance.	Let the oven cool down and then wipe dry with a cloth.
<b>Steam coming out from a crack on oven door.</b>		
<b>Water remaining inside the oven.</b>		
<b>The cooling fan continues to operate after cooking is finished.</b>	The fan operates for a certain period for ventilation of internal cavity of the oven.	This is not a fault of the appliance; therefore you don't have to worry.
<b>Oven does not heat.</b>	Oven door is open.	Close the door and restart.
	Oven controls not correctly adjusted.	Read the section regarding operation of the oven and reset the oven.
	Fuse tripped or circuit breaker turned off.	Replace the fuse or reset the circuit breaker. If this is repeating frequently, call an electrician.
<b>Smoke coming out during operation.</b>	When operating the oven for the first time	Smoke comes out from the heaters. This is not a fault. After 2-3 cycles, there will be no more smoke.
	Food on heater.	Let the oven to cool down and clean food residues from the ground of the oven and surface of upper heater.
<b>When operating the oven burnt or plastic odour coming out.</b>	Plastic or other not heat resistant accessories are being used inside the oven.	At high temperatures, use suitable glassware accessories.
<b>Oven does not cook well.</b>	Oven door is opened frequently during cooking.	Do not open oven door frequently, if the food you are cooking does not require turning. If you open the door frequently internal temperature drops and therefore cooking result will be influenced.

## HANDLING RULES

1. Do not use the door and/or handle to carry or move the appliance.
2. Carry out the movement and transportation in the original packaging.
3. Pay maximum attention to the appliance while loading/unloading and handling.
4. Make sure that the packaging is securely closed during handling and transportation.
5. Protect from external factors (such as humidity, water, etc.) that may damage the packaging.
6. Be careful not to damage the appliance due to bumps, crashes, drops, etc. while handling and transporting and not to break or deform it during operation.

## RECOMMENDATIONS FOR ENERGY SAVING

Following details will help you use your product ecologically and economically.

1. Use dark coloured and enamel containers that conduct the heat better in the oven.
2. As you cook your food, if the recipe or the user manual indicates that pre-heating is required, pre-heat the oven.
3. Do not open the oven door frequently while cooking.
4. Try not to cook multiple dishes simultaneously in the oven. You may cook at the same time by placing two cookers on the wire rack.
5. Cook multiple dishes successively. The oven will not lose heat.
6. Turn off the oven a few minutes before the expiration time of cooking. In this case, do not open the oven door.
7. Defrost the frozen food before cooking.

## ENVIRONMENTALLY-FRIENDLY DISPOSAL



Dispose of packaging in an environmentally-friendly manner.

This appliance is labelled in accordance with European Directive 2012/19/EU concerning used electrical and electronic appliances (waste electrical and electronic equipment - WEEE). The guideline determines the framework for the return and recycling of used appliances as applicable throughout to the EU.

## PACKAGE INFORMATION

Packaging materials of the product are manufactured from recyclable materials in accordance with our National Environment Regulations. Do not dispose of the packaging materials together with the domestic or other wastes. Take them to the packaging material collection points designated by the local authorities.

## УВАЖАЕМЫЙ ПОКУПАТЕЛЬ!

Благодарим Вас за то, что отдали предпочтение нашей бытовой технике.

Надеемся, что Вам понравится продукция нашей компании, и в будущем Вы отдадите ей предпочтение.

Данное изделие произведено на современном оборудовании без нанесения вреда окружающей среде.

Соответствует требованиям положений Директивы ЕС об отходах электрического и электронного оборудования (WEEE).

### ПРИМЕЧАНИЕ

Данное руководство по эксплуатации предназначено для нескольких моделей, наличие режимов и функций может отличаться. Все рисунки схематичны. Функции и комплектующие, обозначенные знаком «\*», являются дополнительной опцией и могут отсутствовать в Вашем изделии.

Внимательно прочтите руководство, в нём даются важные указания по безопасной установке, эксплуатации и техобслуживанию. Позаботьтесь о сохранности руководства по эксплуатации для использования его в дальнейшем. При передаче данного устройства новому владельцу не забудьте передать все документы.

## Содержание

Важные примечания .....	39
Электрическое соединение (подключение) .....	49
Описание прибора .....	50
Аксессуары .....	51
Технические характеристики .....	52
Установка прибора .....	52
Панель управления .....	58
Использование утапливаемых переключателей .....	59
Эксплуатация .....	60
Использование гриля .....	61
Использование вертела .....	61
Режимы приготовления .....	62
Рекомендации по приготовлению .....	63
Таблица приготовления .....	64
Использование камня для выпечки пиццы .....	65
Уход и чистка .....	66
Пароочистка .....	66
Чистка и установка дверцы .....	67
Чистка стекла .....	68
Каталитические стенки .....	68
Положение направляющих .....	69
Замена лампы .....	69
Поиск и устранение неисправностей .....	70
Правила транспортировки .....	72
Советы по энергосбережению .....	72
Экологически безопасная утилизация .....	73
Информация об упаковке .....	73

## **ВАЖНЫЕ ПРЕДУПРЕЖДЕНИЯ**

- 1. Установка и ремонт должны быть выполнены АВТОРИЗОВАННЫМ СЕРВИСНЫМ ЦЕНТРОМ**  
Производитель не несет ответственности за работы, осуществляемые неофициальными сервисами.
- 2. Внимательно изучите данные инструкции по эксплуатации.** Так вы можете безопасно и правильно использовать прибор.
- 3. Следует использовать духовый шкаф в соответствии с инструкциями по эксплуатации.**
- 4. Не позволяйте детям младше 8 лет, и домашним животным приближаться к прибору, когда он работает.**
- 5. Некоторые части могут быть горячими во время использования. Не допускайте маленьких детей к печи.**
- 6. ПРЕДУПРЕЖДЕНИЕ! Пожароопасно: не храните какие-либо предметы в духовом шкафу.**
- 7. ПРЕДУПРЕЖДЕНИЕ! Во время работы духовка нагревается. Нельзя касаться внутренних элементов духовки без средств защиты.**
- 8. Характеристики данного прибора указаны на заводской табличке.**
- 9. Поверхности могут быть горячими при использовании гриля. Не подпускайте к печи маленьких детей.**

**10. ПРЕДУПРЕЖДЕНИЕ:** Данный прибор пред - назначен для приготовления пищи. Его нельзя использовать для других целей, таких как обогрев комнаты.

**11.** Не используйте пароочистители для чистки прибора.

**12.** После того, как вы положите пищу в духовку, убедитесь, что дверца духовки полностью закрыта.

**13. НИКОГДА** не пытайтесь потушить огонь водой. Сначала выключите питание прибора, а затем закройте пламя крышкой или пожарным одеялом.

**14. ПРЕДУПРЕЖДЕНИЕ!** Дети до 8 лет должны находиться на расстоянии, если за ними не осуществляется постоянное наблюдение.

**15.** Следует избегать контакта с нагревательными элементами.

**16. ВНИМАНИЕ:** Не следует оставлять процесс приготовления без присмотра.

**17.** Данный прибор может использоваться детьми в возрасте от 8 лет и старше, а также лицами с ограниченными физическими, сенсорными или умственными способностями или при отсутствии опыта и знаний, только под присмотром, или в случае их инструктажа по использованию прибора, если указанные лица понимают степень опасности. Дети не должны играть с оборудованием. Чистка и обслуживание не должны осуществляться детьми без присмотра взрослых.



- 18.** Данный прибор разработан исключительно для использования в бытовых условиях.
- 19.** Храните прибор и шнур питания в месте, недоступном для детей в возрасте младше 8 лет.
- 20.** Перед тем, как начать использовать прибор, уберите шторы, тюль, бумагу или любой воспламеняющийся (воспламеняемый) материал на безопасное расстояние. Не помещайте воспламеняющиеся или легковоспламеняющиеся материалы на прибор или в него.
- 21.** Держите вентиляционные каналы открытыми.
- 22.** Прибор не подходит для эксплуатации с внешним таймером или отдельной системой дистанционного управления.
- 23.** Не нагревайте консервы и стеклянные банки. Давление может привести к взрыву банок.
- 24.** Ручка духового шкафа не является полотенцесушителем. Не вешайте полотенца и т. д. на ручку духового шкафа.
- 25.** Не размещайте противни, плиты или алюминиевую фольгу для духовки непосредственно на нижнюю часть духовки. Накопленное тепло может повредить основание печи.

**26.** При помещении продуктов питания в духовку или извлечении блюд из неё всегда используйте термостойкие перчатки.

**27.** Не используйте прибор в таких состояниях, которые могут повлиять на вашу умственную деятельность и координацию. Например под воздействием лекарств и/или алкоголя.

**28.** Будьте осторожны при смешивании алкоголя с едой. Алкоголь испаряется при высоких температурах и может вызвать пожар, если он соприкасается с горячими поверхностями.

**29.** После каждого использования проверьте, выключен ли прибор.

**30.** Если прибор неисправен или имеет видимые повреждения, не используйте его.

**31.** Не касайтесь штепсельной вилки мокрыми руками. Не тяните за шнур питания, чтобы отключить прибор от сети электропитания; всегда придерживайте вилку рукой.

**32.** Не используйте прибор, если стекло дверцы удалено или сломано.

**33.** Положите бумагу для выпечки вместе с пищей в предварительно нагретую духовку, поместив ее в духовку или на аксессуар для духовки (противень, проволочная решетка и т. д.).

**34.** Не размещайте на приборе предметы, которые могут быть доступны для детей.

**35.** Важно правильно поместить решетку и противень на направляющие.

Поместите решетку или противень между двумя направляющими и убедитесь, что он надёжно держится, прежде чем положить на него пищу.

**36.** Чтобы предотвратить риск прикосновения к горячим элементам духовки, удалите лишние части бумаги для выпечки, которые могут выступать за края.

**37.** Никогда не используйте духовку при температурах выше, чем максимальная температура, указанная на вашей бумаге для выпечки. Не размещайте бумагу для выпечки на дне духовки. Из-за риска прикоснуться к нагревательным элементам духовки, удалите лишние части бумаги для выпечки, которые выступают за края.

**38.** Не размещайте тяжёлые предметы на открытой дверце и не позволяйте детям сидеть на ней. Это может привести к опрокидыванию печи или к повреждению дверных петель.

**39.** Упаковочные материалы представляют опасность для детей. Храните упаковочные материалы в недоступном для детей месте.

**40.** Не используйте абразивные чистящие средства или острые металлические скребки для очистки стекла, так как царапины, которые могут возникать на поверхности стекла дверцы, могут привести к разбитию стекла.

- 41.** Пользователь не должен ремонтировать печь самостоятельно.
- 42.** При использовании внутренние и внешние поверхности духовки становятся горячими. Когда вы открываете дверцу духовки, отходите назад, чтобы избежать горячего пара, выходящего изнутри. Имеется риск ожога.
- 43.** При использовании прибора не касайтесь его мокрыми руками.
- 44.** Не включайте прибор при чистке. Это может привести к поражению электрическим током.
- 45.** Питание духовки необходимо отключить во время строительных работ дома. После завершения работ повторное подключение духовки к электросети должно выполняться авторизованным сервисом.
- 46.** Прибор нельзя устанавливать за декоративным покрытием во избежание перегрева.
- 47.** Прежде чем снять хромирующие направляющие, выключите прибор. После очистки установите направляющие в обратном порядке.
- 48.** Точки крепления кабеля должны быть защищены.
- 49.** Пожалуйста, не готовьте пищу непосредственно на противне или решетке. Положите пищу в соответствующую посуду, прежде чем положить ее в духовку.

## Электробезопасность

1. Подключите устройство в заземленную розетку, защищенную предохранителем, соответствующим значениям, приведенным в таблице технических характеристик.
2. Регулировка оборудования заземления должна быть выполнена квалифицированным электриком. Наша компания не несет ответственности за ущерб, который может возникнуть в результате эксплуатации прибора без заземления в соответствии с местными правилами.
3. Следует использовать автоматические выключатели, автоматы защиты от тока утечки при подключении прибора.
4. Шнур питания (шнур со штепсельной вилкой) не должен соприкасаться с горячими частями прибора.
5. Если шнур питания (шнур со штепсельной вилкой) поврежден, такой шнур должен быть заменен производителем или его дилером по техническому обслуживанию или не менее квалифицированным персоналом во избежание опасности.
6. Никогда не мойте прибор путем распыления или наливания на него воды. Имеется риск поражения электрическим током.
7. **ПРЕДУПРЕЖДЕНИЕ: Во избежание поражения электрическим током перед заменой лампы убедитесь, что питание прибора отключено.**

**8. ПРЕДУПРЕЖДЕНИЕ:** Перед обслуживанием отсоедините все соединения цепи от электропитания.

**9.** Не используйте порванные или поврежденные шнуры или удлинители; используйте только оригинальный шнур.

**10.** При подключении штепсельной вилки к розетке, убедитесь, что в розетке нет жидкости или влаги.


**11.** Задняя панель духовки также нагревается при эксплуатации. Электрические соединения не должны соприкасаться с задней панелью, в противном случае соединения могут быть повреждены.

**12.** Не закрепляйте соединительные кабели на дверце духовки и не прокладывайте кабели через горячие поверхности. Если шнур расплавится, это может привести к короткому замыканию духовки и даже к пожару.

**13.** Для установки, технического обслуживания, очистки и ремонта отключайте прибор от сети электропитания.

**14.** В случае повреждения шнура питания необходимо обратиться к производителю, в авторизованный сервисный центр или к любым другим квалифицированным специалистам для его замены на аналогичный во избежание опасных ситуаций.

**15.** Убедитесь, что штепсельная вилка плотно вставлена в розетку, чтобы избежать образования искр.

- 
- 16.** Не используйте пароочистители при очистке прибора, в противном случае может возникнуть поражение электрическим током.
- 17.** Прибор должен быть подключен к электросети через разделительное устройство, позволяющее отсоединить от сети все контакты.
- 18.** Прибор может быть оснащен шнуром питания в зависимости от модели.
- 19.** Неподвижные соединения должны быть подключены к источнику питания, обеспечивающему многополюсное отключение. Для приборов с защитой от перенапряжения ниже III категории, устройство отключения должно быть подключено к источнику питания с фиксированным напряжением в соответствии с кодом проводки.

## Целевое использование

1. Данный прибор предназначен для использования в бытовых условиях. Коммерческое использование прибора не допускается.
2. Данный прибор можно использовать только для приготовления пищи. Его не следует использовать для других целей, таких как обогрев комнаты.
3. Данный прибор не следует использовать для сушки одежды, полотенец путем подвешивания их для обогрева.
4. Производитель не несет ответственности за какие-либо повреждения, возникшие в результате неправильного использования устройства или обращения с ним.
5. Прибор можно использовать для размораживания, обжаривания, жарки и приготовления на гриле.
6. Срок службы приобретенного Вами прибора составляет 10 лет. В течение данного периода времени запасные части, необходимые для работы этого прибора, как определено, предоставляются изготовителем.



## Электрическое соединение

Установка и соединения данной печи должны выполняться уполномоченным сервисом и в соответствии с указаниями производителя.

Прибор следует устанавливать в отсек для печи, обеспечивающий хорошую вентиляруемость.

Соединение прибора с электрической сетью следует выполнять только через розетки с надлежащей системой заземления. Если в месте установки прибора нет розеток с системой заземления, свяжитесь с уполномоченным персоналом. Производитель не несет ответственности за вред, причиненный в результате соединения прибора с не заземленной системой питания. Вилка Вашей духовки оснащена заземлением, убедитесь, что розетка для подключения также заземлена. После установки прибора, розетка должна располагаться в легко доступном месте.

Ваша печь изготовлена в соответствии с электропитанием 220-240 V 50/60 Hz. AC и требует установки предохранителя мощностью 16 Аmp. Если Ваша сеть отличается от указанных значений, свяжитесь с уполномоченным сервисом или профессиональным электриком.

В случае необходимости замены электрического предохранителя, убедитесь, что электрическое соединение выполнено следующим образом:

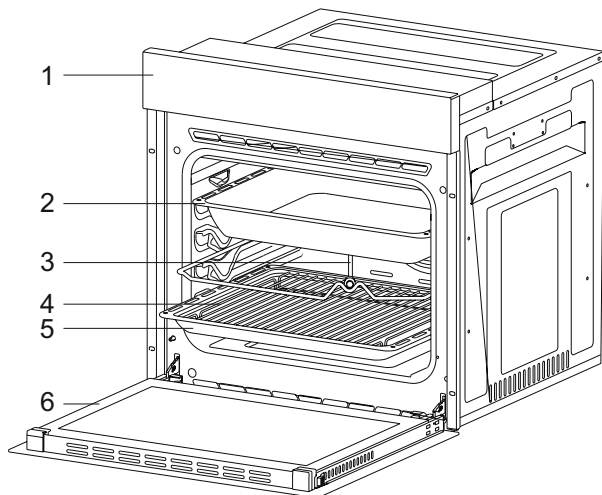
- Коричневый кабель в фазу (рабочий контакт)
- Синий кабель в нейтральный контакт
- Желто-зеленый кабель в контакт заземления

Разъединители цепи питания должны быть расположены в доступном для пользователя месте.

Кабель питания (кабель с вилкой) не должен контактировать с нагревающимися поверхностями прибора.

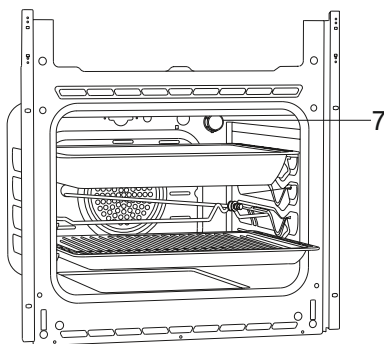
В случае повреждения кабеля питания (кабель с вилкой), он должен быть заменен изготовителем или его сервисным агентством или профессионалом в целях предотвращения возникновения опасных ситуаций.

## ОПИСАНИЕ ПРИБОРА



- 1. Панель управления
- 2. Глубокий противень\*
- 3. Вертел \*

- 4. Решетка на противень\*
- 5. Стандартный противень
- 6. Дверца духовки



- 7. Лампа

\* в зависимости от модели

## Аксессуары (выборочно, дополнительные опции)



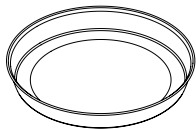
### Глубокий противень \*

Используется для выпечки хлебо-булочных изделий, приготвления больших запеканок, жидких блюд. Используется для выпекания кексов, а также в качестве сборника для жира в случае запекания мясных продуктов или размораживания замороженных продуктов на гриле.



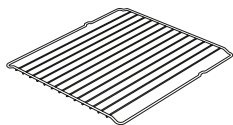
### Противень \*

Используется для выпекания хлебо-булочных изделий (печенье, бисквиты, и т.д.), размораживания продуктов.



### Круглый противень \*

Используется для выпекания хлебо-булочных изделий размораживания продуктов.



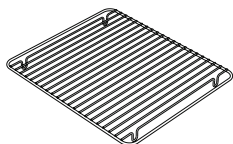
### Решетка (гриль)

Используется для жарки, а также для размещения продуктов под запекание, жарку или размораживание на необходимом уровне.



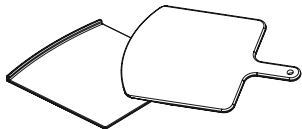
### Телескопические направляющие \*

Благодаря телескопическим направляющим подносы или решетки с легкостью устанавливаются и снимаются.



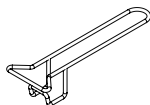
### Решетка на противень \*

Продукты, которые могут пригореть во время запекания, такие как отбивная, укладываются на решетку внутри подноса. Таким образом предотвращается прилипание и пригорание продуктов к подносу.



### Камень и доска для пиццы \*

Они используются для выпечки: пиццы, хлеба, блинов и вынимания выпеченной пищи из духовки.



### Ручка противня \*

Используется, чтобы держать горячие противни.

## Технические характеристики\*

Характеристики	Встраиваемая духовка 60 см (до 6 функций)			
Мощность лампы	15-25 Вт			
Термостат	40-240 / Max °C			
Нижний нагреватель	1200 Вт			
Верхний нагреватель	1000 Вт			
Турбо нагреватель	1800 Вт			
Нагреватель гриля	Малый гриль	1000 Вт	Большой гриль	2000 Вт
Напряжение	220-240 В 50/60 Гц.			

Характеристики	Встраиваемая духовка 60 см (до 8 функций)			
Мощность лампы	15-25 Вт			
Термостат	40-240 / Max °C			
Нижний нагреватель	1200 Вт			
Верхний нагреватель	1200 Вт			
Турбо нагреватель	1800 Вт			
Нагреватель гриля	Малый гриль	1200 Вт	Большой гриль	2400 Вт
Напряжение	220-240 В 50/60 Гц.			

В прибор могут вноситься изменения без предварительного предупреждения в целях улучшения его технических характеристик.

Значения, имеющиеся на обозначениях изделия, или декларируемые на поставляемой вместе с изделием дополнительной печатной документации, являются значениями, полученными в лабораторных условиях в соответствии с установленными стандартами. Эти значения могут изменяться в зависимости от способа использования изделия и условий его эксплуатации.

Рисунки, представленные в руководстве, являются схематическими и могут не отражать настоящий вид продукта.

### УСТАНОВКА ПРИБОРА

В целях обеспечения работоспособности прибора убедитесь, что электрическое оборудование соответствует требованиям. В случае несоответствия, вызовите профессионального электрика или ремонтника для выполнения соответствующих корректировок. Производитель не несет ответственности за вред, причиненный в результате выполнения операций не уполномоченными лицами, что ведет к прекращению действия гарантии.

**ПРЕДУПРЕЖДЕНИЕ:** Покупатель несет ответственность за подготовку места для расположения прибора и электрического оборудования.

**ПРЕДУПРЕЖДЕНИЕ:** Во время монтажа изделия следует соблюдать правила, установленные местными стандартами в части электрических работ.

**ПРЕДУПРЕЖДЕНИЕ:** Перед установкой прибора, проверьте его на наличие каких либо повреждений. Не выполняйте установку если прибор поврежден. Поврежденные приборы несут риск для Вашей безопасности.

### Важные примечания по установке:

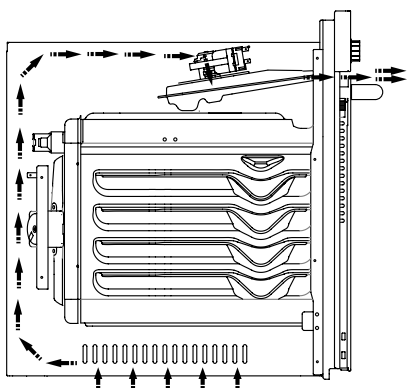


Рис. 1

Во время работы печи, охлаждающий вентилятор будет выводить лишний пар наружу и предотвращать чрезмерное нагревание внешних поверхностей прибора. Это необходимо для правильной работы прибора и равномерного приготовления блюд.

После окончания процесса готовки, вентилятор будет продолжать работать. Вентилятор отключится автоматически, когда охлаждение будет завершено. В задней части отсека для установки прибора необходимо предусмотреть пространство для качественной и правильной работы прибора.

Не следует закрывать это пространство, так как оно необходимо для исправной работы системы вентиляции прибора.

### Правильное место для монтажа

Дизайн изделия разработан в соответствии с доступными на рынке столешницами. Между прибором и стенами кухни или мебелью следует оставить безопасное расстояние. Для подходящих промежутков см. диаграмму, представленную на следующей странице. (значения указаны в мм)

- Используемые поверхности, синтетический ламинат и клеящие материалы должны быть жароустойчивыми. (минимум 100 °С)
- Кухонные шкафы должны находиться на одном уровне с прибором и должны быть закреплены.
- Если под печью имеется выдвижной ящик, между печью и ящиком следует установить панель.

**ПРЕДУПРЕЖДЕНИЕ:** Не устанавливайте прибор вблизи холодильников или охлаждающих приборов. Жар, исходящий от прибора может повысить энергопотребление охлаждающих приборов.

**ПРЕДУПРЕЖДЕНИЕ:** Не используйте дверцу или ручку дверцы для передвижения прибора.

## **Установка встраиваемой духовки**

Перед началом установки следует определить место использования прибора.

Не следует устанавливать прибор в местах с сильными потоками воздуха.

Прибор следует передвигать минимум вдвоем. Не тащите прибор по полу во избежание повреждения покрытия пола.

Удалите все перевозочные материалы снаружи и внутри прибора. Выньте все материалы и документацию из прибора.

### **Установка под столешницу**

Отсек должен соответствовать размерам, указанным на рисунке 2.

В задней части отсека следует обеспечить пространство как указано на рисунке, в целях обеспечения необходимой проветриваемости.

Пространство между столешницей и верхней частью прибора, которое должно оставаться после установки, отмечено буквой "А" на рисунке 5. Это пространство необходимо для вентиляции и не должно закрываться.

### **Установка в шкаф**

Отсек должен соответствовать меркам, указанным на рисунке 4.

В задней части отсека, в нижней верхней частях следует обеспечить пространство как указано на рисунке, в целях обеспечения необходимой проветриваемости.

### **Условия установки**

Размеры прибора приведены на рисунке 3.

Поверхность мебели и монтажные материалы, используемые для установки, должны обладать минимальной жароустойчивостью в 100°C.

Во избежание переворачивания прибора, отсек для установки должен быть закреплен а основание должно быть плоским.

Основание отсека должно выдерживать минимальную нагрузку в 60 кг.

### **Установка и закрепление печи**

Установите печь в отсек при помощи двух или более человек.

Убедитесь, что рамка прибора и передняя часть мебели выровнены.

Кабель питания не должен оставаться под печью, зажиматься между печью и мебелью и сгибаться.

Закрепите духовку на мебели при помощи шурупов, предоставленных вместе с прибором. Шурупы следует вкручивать продев их в пластиковые крепежи, установленные на раме прибора, как показано на рисунке 5. Шурупы не следует закручивать чрезмерно туго. В противном случае резьба может повредиться и пластик разрушится.

После установки убедитесь, что духовка надежно закреплена. Если духовка плохо закреплена, существует риск опрокидывания во время использования.

### **Подключение к сети**

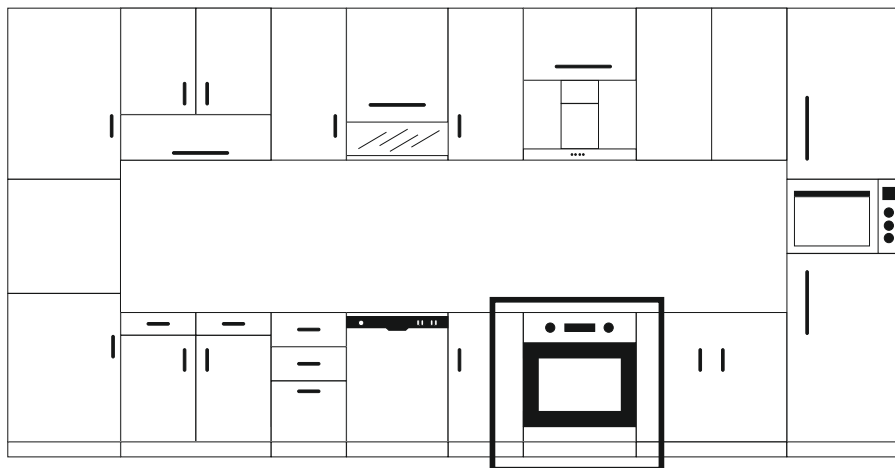
Место подключения духовки должно быть оборудовано подходящей розеткой.

Напряжение сети должно соответствовать значениям, указанным на типовой этикетке прибора.

Подключение прибора должно выполняться в соответствии с местными и национальными стандартами электросети.

Перед началом установки прибора отключите питание в сети. Не подключайте прибор к сети до завершения процедуры установки.

### **Монтаж**



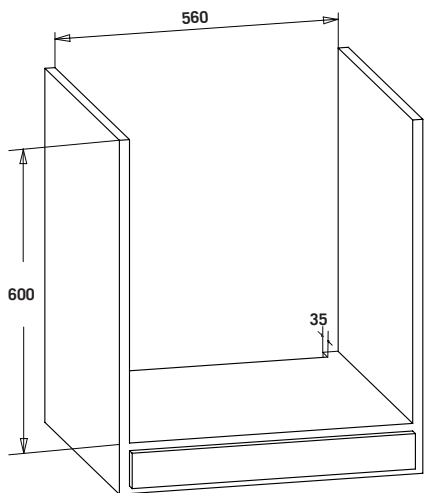


Рис. 2

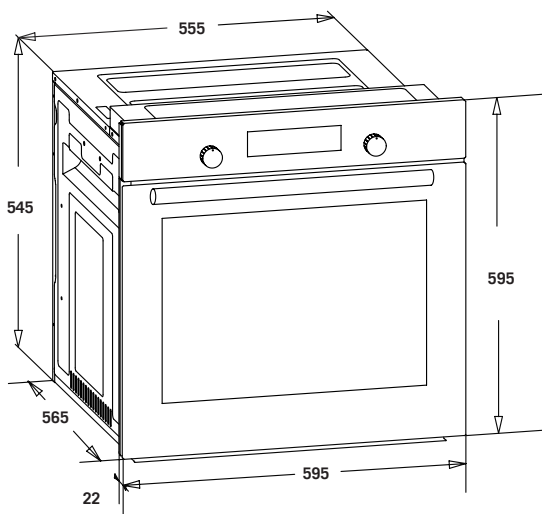
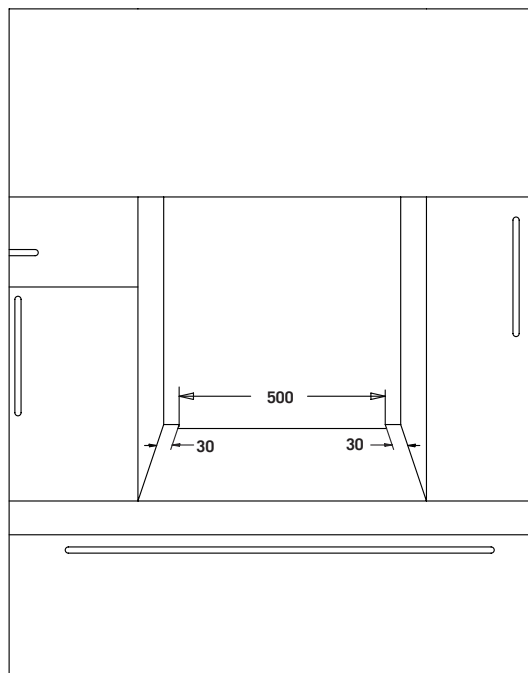


Рис. 3



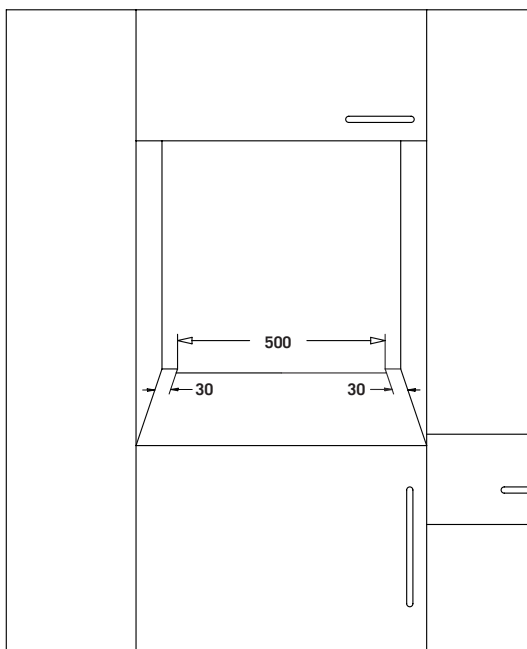
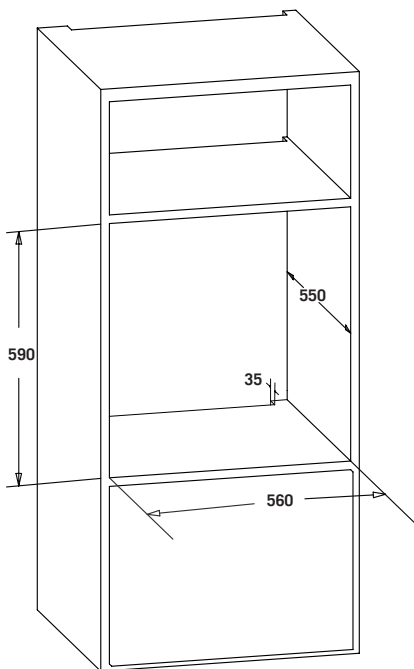
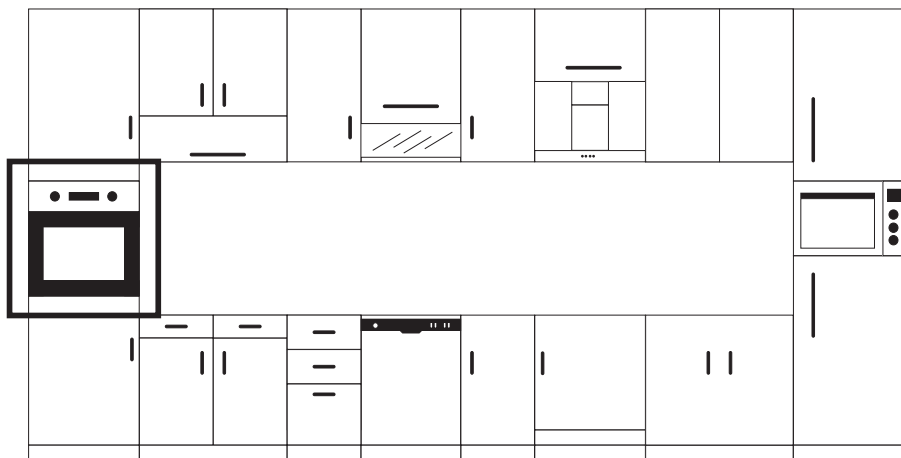


Рис. 4

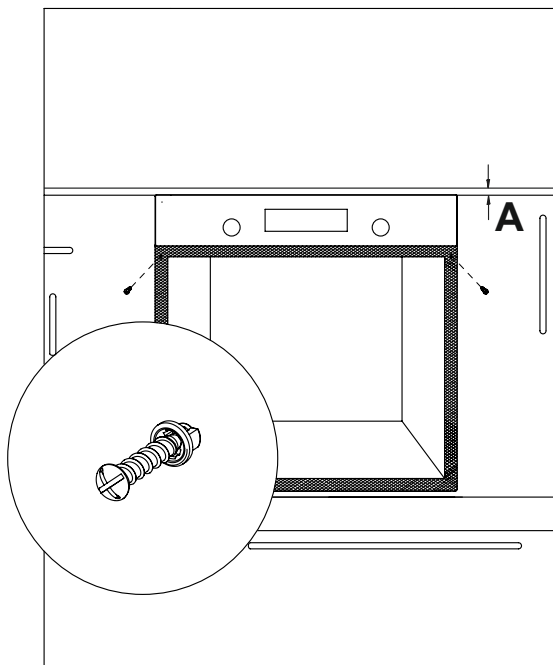
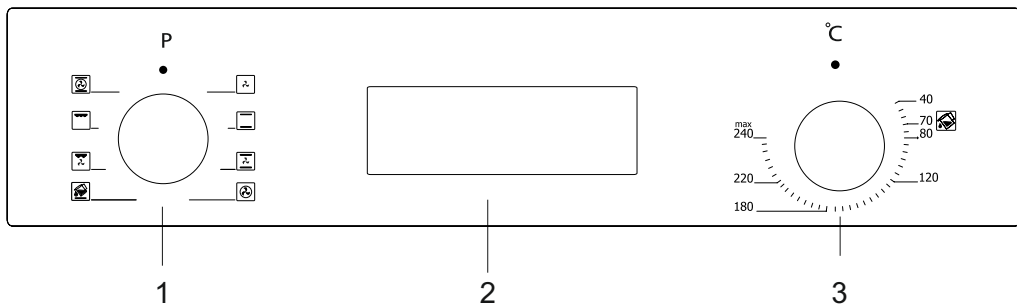


Рис. 5

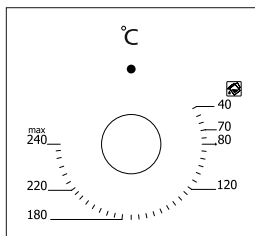
## ПАНЕЛЬ УПРАВЛЕНИЯ



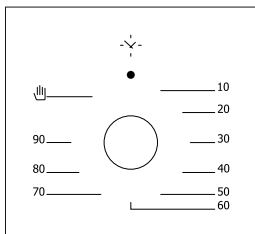
1. Переключатель режимов духовки
2. Механический или цифровой таймер(может отсутствовать)
3. Термостат\*

**ПРЕДУПРЕЖДЕНИЕ:** Указанная панель управления, приведена только в качестве примера. Ориентируйтесь на панель управления, установленную на вашем приборе.

\* в зависимости от модели



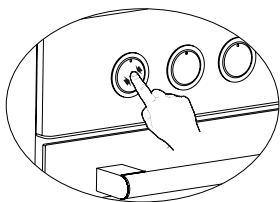
**Термостат:** Используется для установки температуры приготовления пищи в печи. После размещения блюда в печи, поверните реле и установите желаемую температуру. См. таблицу приготовления пищи, чтобы узнать температуру приготовления различных продуктов.



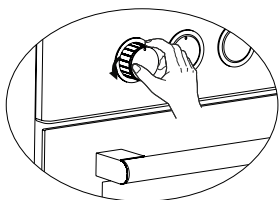
**Механический таймер \*:** Используется для установки времени приготовления пищи. Когда установленное для приготовления время истекает, таймер отключает нагревательные элементы и издает характерный звук. Информацию о приготовлении различных продуктов см. таблицу приготовления.

### Использование утапливаемых переключателей

В моделях с выдвигающимися переключателями настройка может осуществляться только когда ручка выдвинута.



Нажмите и отпустите ручку, чтобы она выдвинулась, как показано на рисунке слева.



Когда ручка выдвинута вперед, можно осуществлять необходимые переключения поворотом ручки влево или вправо.

## ЭКСПЛУАТАЦИЯ

### Первое использование

После установки прибора согласно инструкции необходимо:

1. Выньте все этикетки и аксессуары, находящиеся внутри духовки, и удалите защитную пленку на внешней стороне прибора.
2. Влажной тряпкой протрите внутреннюю часть прибора от пыли и частиц упаковки. Внутренность печи должна быть пустой.
3. Вставьте вилку устройства в розетку.
4. Установите регулятор термостата на 180-200 °С и дайте печи проработать с закрытой дверцей в течение 30 минут. При этом может появиться легкий дым и запах, это нормально.
5. После прогрева дождитесь охлаждения печи, протрите внутреннюю часть теплой мыльной водой и просушите при помощи чистой сухой тряпки.

Теперь Вы можете использовать свою печь.

### Стандартная эксплуатация печи

1. Для начала приготовления установите требуемую температуру регулятором термостата.

2. На моделях с **механическим таймером\*** Вы можете установить желаемое время готовки при помощи регулятора таймера. По истечении установленного времени таймер отключает нагреватели и издает звуковой сигнал.

3. На моделях с **цифровым программатором\*** Вы можете установить желаемое время готовки на дисплее программатора. По истечении установленного времени программатор отключает нагреватели и издает звуковой сигнал.

4. На моделях с **цифровым таймером\*** Вы можете установить желаемое время готовки на дисплее таймера. По истечении установленного времени таймер издает звуковой сигнал (не отключая нагреватели духового шкафа). При необходимости завершения готовки регулятором термостата отключите духовой шкаф.

5. После завершения процедуры готовки система охлаждения прибора будет продолжать работать. Не отключайте питание прибора до полного охлаждения прибора в таком режиме. После завершения охлаждения система отключится автоматически.

(\* Уточняйте типа таймера у продавца перед покупкой)

## Использование режима Гриль\*

1. Когда вы помещаете продукты на верхний уровень, то они не должны соприкоснуться с нагревательным элементом гриля.
2. Рекомендуется разогреть духовку в режиме гриль в течение 5 минут.
3. Блюдо должно находиться по центру духовки, чтобы обеспечить хорошую циркуляцию воздуха.

### Чтобы включить гриль;

1. Выберите режим гриль
2. Затем установите его на желаемую температуру.

### Выключение гриля;

Приведите переключатель выбора функций в положение «Выкл.».

**ПРЕДУПРЕЖДЕНИЕ:** Держите дверцу закрытой во время приготовления на гриле.

## Использование вертела\*

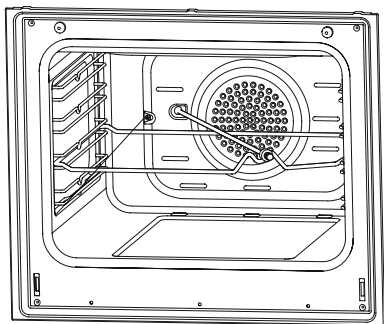
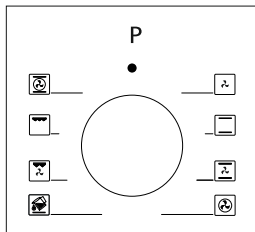


Рис. 6

Поместите вертел на раму. Передвиньте раму с вертелом на нужный уровень. Поместите поддон для сбора жира в нижнюю часть. Налейте в него воду для облегчения последующей чистки, не забудьте снять с вертела пластиковую ручку. После приготовления на гриле, установите пластиковую ручку к вертелу и вытащите готовое блюдо из духовки.

\* в зависимости от модели

## Режимы приготовления



### Переключатель режимов духовки:

Количество режимов зависит от модели духового шкафа.

Виды режимов\* приготовления пищи и пояснения к ним предоставлены ниже.

	Нижний и верхний нагревательные элементы		Вентилятор
	Нижний нагревательный элемент и вентилятор		Турбо нагреватель и вентилятор
	Гриль и вертел		Нижний и верхний нагревательные элементы и вентилятор
	Верхний нагревательный элемент и вентилятор		Гриль и вентилятор
	Мульти-функциональное приготовление (3D)		Гриль
	Нижний нагревательный элемент		Верхний нагревательный элемент
	Малый гриль и вентилятор		Парочистка

**Нижний нагревательный элемент:** Выпекание пирогов с хрустящей основой.

**Верхний нагревательный элемент:** Подрумянивание хлеба, завершение приготовления блюд.

**Нижний и верхний нагревательный элемент:** Приготовление продуктов на одном уровне духового шкафа.

**Нижний нагревательный элемент и вентилятор:** Используется для приготовления выпечки с начинкой.

**Нижний и верхний нагревательные элементы и вентилятор:** Подходит для приготовления мясных блюд и лазаньи.

\* в зависимости от модели

**Решетка (гриль):** Решетка используется для приготовления таких продуктов, как бифштексы, сосиски и рыба на гриле. Во время приготовления пищи на гриле, под решетку следует установить противень с небольшим количеством воды.

**Турбо нагреватель и вентилятор:** Подходит для приготовления, жарки и сушки продуктов. Устанавливайте температуру на 20-40 градусов ниже, чем в режиме (верхний+нижний нагрев).

**Гриль и вентилятор:** Подходит для приготовления мясных блюд. Во время приготовления пищи на гриле, под решетку следует установить противень с небольшим количеством воды.

**Мульти-функциональный режим (3D):** Быстрый разогрев духового шкафа посредством потока горячего воздуха, также работают и верхней и нижний нагревательные элементы. Подходит для приготовления блюд на противне, требующих интенсивного нагрева.

## РЕКОМЕНДАЦИИ ПО ПРИГОТОВЛЕНИЮ

Рекомендация приготовления продуктов, которые мы протестировали в наших лабораториях, приведена в таблицах ниже. Время приготовления может меняться в зависимости от напряжения сети, особенностей, количества и температуры продуктов.

Блюда, приготовленные с применением таблицы, представленной ниже могут не подойти Вам по вкусу. Вы можете самостоятельно найти более подходящие для Вас режимы приготовления.

**ПРЕДУПРЕЖДЕНИЕ:** Перед размещением продуктов в духовку, ее следует предварительно нагреть в течение 7-10 минут.

## Таблица Приготовления (до 6 функций)

Блюда	Функция приготовления	Температура (°C)	Полка	Время (мин.)
Торт	нижн.+верхний нагр. элемент/вентилятор	170-180	2-3	35-45
Пирожное	нижн.+верхний нагр. элемент / Турбовентилятор	170-180	2	25-30
Пироги	нижн.+верхний нагр. элемент/вентилятор	180-200	2	35-45
Печенье	нижн.+верхний нагр. элемент	170-180	2	20-25
Шарлотка	нижн.+верхний нагр. элемент / Турбовентилятор	180-190	1	50-70
Бисквит	нижн.+верхний нагр. элемент	200/150 *	2	20-25
Пицца	нижн.+верхний нагр. элемент+вентилятор	180-200	3	20-30
Лазанья	нижн.+верхний нагр. элемент	180-200	2-3	25-40
Меренги (безе)	нижн.+верхний нагр. элемент	100	2	50
Курица на гриле **	Гриль+вентилятор	200-220	3	25-35
Жареная рыба **	Гриль+вентилятор	200-220	3	25-35
Стейк без костей **	Гриль+вентилятор	Max	4	15-20
Фрикадельки **	Гриль+вентилятор	Max	4	20-25

\* без предварительного нагрева Первая половина времени приготовления при температуре 200 °C, остальное время - 150 °C.

\*\* В середине продолжительности приготовления необходимо перевернуть продукты.



## До 8 функций :

Блюда	Функция приготовления	Температура (°C)	Полка	Время (мин.)
Торт	нижн.+верх.нагрев. элемент/вентилятор	170-180	2-3	30-35
Пирожное	нижн.+верх.нагрев. элемент / Турбовентилятор	170-180	2-3	25-30
Пироги	нижн.+верх.нагрев. элемент / Турбовентилятор	180-200	2-3	30-35
Печенье	нижн.+верх.нагрев. элемент / Турбовентилятор	170-180	2-3	20-30
Шарлотка	нижн.+верх.нагрев. элемент / Турбовентилятор	180-190	2-3	40-50
Бисквит	нижн.+верх.нагрев. элемент / Турбовентилятор	200/150 *	2-3	25-30
Пицца	нижн.+верх.нагрев. элемент/вентилятор	180-200	3	20-30
Лазанья	нижн.+верх.нагрев. элемент	180-200	2-3	20-25
Меренги (безе)	нижн.+верх.нагрев. элемент+ вентилятор	100	2-3	60-70
Курица на гриле **	Гриль / Нижний-верхний+вентилятор	200-220	2-3	25-30
Жареная рыба **	Гриль	190-200-220	3-4	20-25
Стейк без костей **	Гриль	230	5	25-30
Фрикадельки **	Гриль	230	5	20-35

\* без предварительного нагрева, первая половина времени приготовления при температуре 200 °C, остальное время - 150 °C.

\*\* В середине продолжительности приготовления необходимо перевернуть продукты.

### Выпечка с камнем для пиццы \*

При использовании камня для выпечки пиццы положите камень поверх решётки и предварительно нагрейте духовку в режиме пиццы (турбо + нижний нагрев) при 230 °C в течение 30 минут.

После завершения предварительного нагрева, не удаляя камень для выпечки пиццы, положите пиццу поверх него с помощью лопатки (не размещайте замороженную пиццу) и запекайте при температуре 180 °C в течение 20-25 минут. Как только выпечка завершена, удалите испеченную пиццу из духовки, используя лопатку.

**ПРЕДУПРЕЖДЕНИЕ:** Не размещайте камень для выпечки пиццы в предварительно разогретой духовке.

**ПРЕДУПРЕЖДЕНИ:** Когда выпечка завершена, не удаляйте камень для выпечки пиццы в горячем состоянии и не размещайте его на холодных поверхностях. В противном случае могут возникнуть трещины на камне для выпечки пиццы.

**ПРЕДУПРЕЖДЕНИЕ:** Не подвергайте камень для выпечки пиццы воздействию влаги.

## УХОД И ЧИСТКА

1. Отсоедините вилку питания от розетки.
2. Не используйте жесткие щетки, металлические щетки или ножи для чистки внутренних частей, панели, противней и прочих частей духовки. Не используйте абразивные, царапающие материалы или едкие моющие средства.
3. Протрите части духовки мыльным раствором, смойте водой, а затем насухо вытрите мягкой тканью.
4. Очищайте стеклянные поверхности специальными средствами для чистки стекол.
5. Не используйте парогенераторные очистители для чистки прибора.
6. Для чистки духовки никогда не пользуйтесь кислотой, растворителем, керосином и другими горючими веществами.
7. Не мойте какие-либо части духовки в посудомоечной машине.
8. Для удаления грязи и пятен используйте мягкие моющие средства.

### Парочистка \*

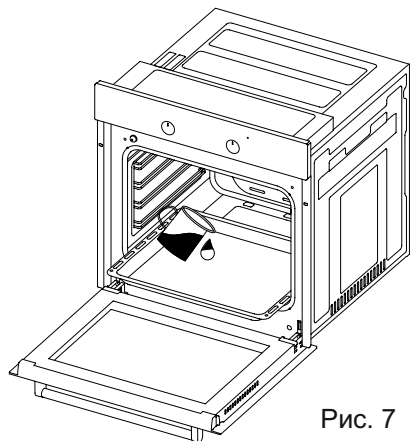


Рис. 7

Помогает легко очистить духовку, благодаря водяному пару, размягчающему загрязнение.

1. Удалите все аксессуары из духовки.
2. Залейте пол литра воды в противень и поместите его в нижнюю часть духового шкафа.
3. Установите переключатель на режим очистки паром.
4. Установите термостат на 70 °С градусов и включите печь на 30 минут.
5. После работы духовки в течение 30 минут откройте дверцу и протрите внутреннюю поверхность влажной тряпкой.
6. Используйте жидкость для мытья посуды, теплую воду и ткань для стойких загрязнений, затем протрите очищенное пространство насухо.

\* в зависимости от модели

## Чистка и установка дверцы

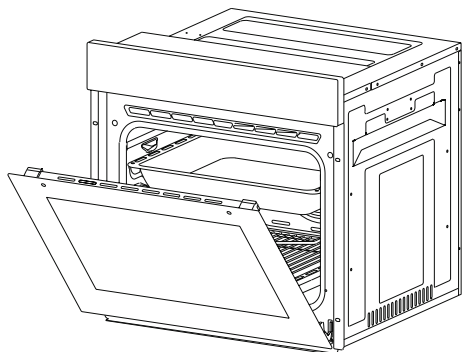


Рис. 8

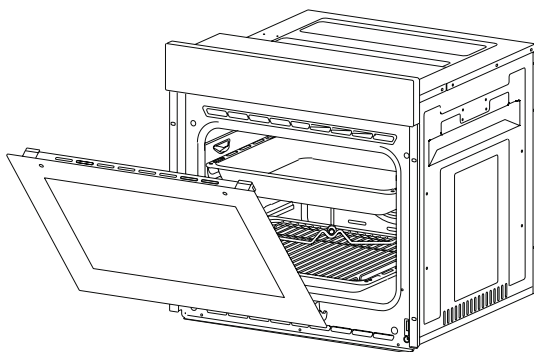


Рис. 9

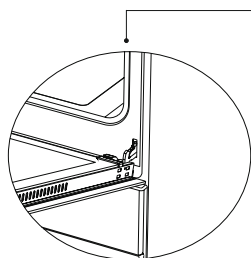


Рис. 8.1

Потяните дверцу печи на себя и откройте ее до предела. Затем, потяните замок петли при помощи отвертки и выполните процедуру открытия замка, как показано на **рисунке 8.1**.

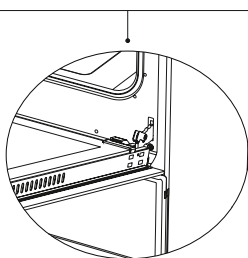


Рис. 8.2

Приведите замок петли в максимально открытое положение, как показано на **рисунке 8.2**. Переведите обе петли, соединяющие дверцу с печью, в одинаковое положение.

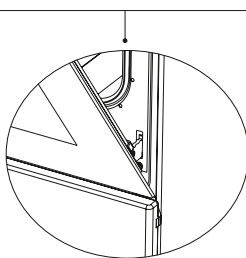


Рис. 9.1

Затем, прикройте дверцу до того момента как она будет упираться в замок петли, как показано на **рисунке 9.1**.

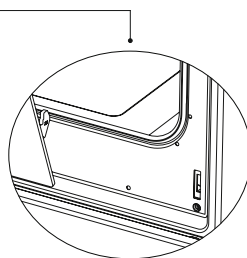


Рис. 9.2

Для снятия дверцы, приведите ее в практически закрытое положение и потяните ее вверх обеими руками, как показано на **рисунке 9.2**.

Для установки дверцы на место выполняйте действия, описанные для снятия, в обратном порядке.

## Чистка стекла

Нажмите на пластиковые защелки с левой и правой стороны дверцы, как показано на рисунке 10 и потяните планку на себя (рис.11) После снятия профиля, осторожно потяните стекло на себя (рис.12) Внешнее стекло закреплено на профиле дверцы печи. После снятия стекол, Вы можете легко их очистить. После завершения процедуры чистки и ухода, выполните процедуру в обратном порядке и установите стекла на место. Убедитесь, что профиль плотно установлен на свое место.

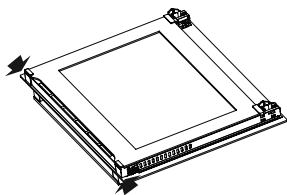


Рис. 10

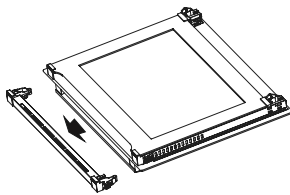


Рис. 11

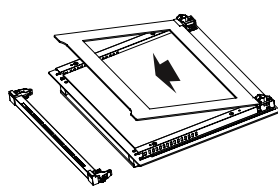


Рис. 12

## Каталитические экраны \*

Каталитические экраны расположены в камере слева и справа под направляющими.

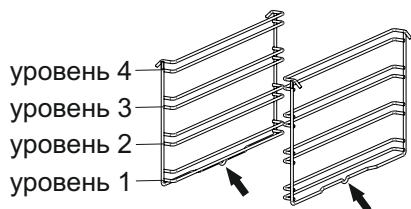
Каталитические экраны поглощают остатки масла и чистят духовку во время ее работы.

## Снятие каталитических экранов

Чтобы снять каталитические экраны, извлеките направляющие. После этого они легко извлекаются. Их следует менять через 2-3 года.

\* в зависимости от модели

## Съемные направляющие противней\*



**Соблюдайте правильность установки направляющих внутри духовки.**

Положение направляющих показано на рисунке.

### Установка и снятие направляющих

Чтобы снять направляющие, надавите на защелки вниз, как показано стрелками на рисунке.

Чтобы установить направляющие; выполните процедуру в обратном порядке.

### Замена лампы

**ПРЕДУПРЕЖДЕНИЕ:** Во избежание поражения электрическим током, перед заменой лампы убедитесь, что прибор отключен от электропитания. Убедитесь в том, что духовка остыла.

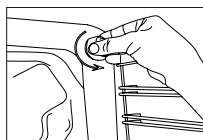
Поверните и снимите стеклянный плафон как показано на рис.13,14 (в зависимости от типа лампы).

В случае затруднения при повороте плафона, используйте перчатки.

Затем, выкрутите старую и установите новую лампу с такими же характеристиками.

Установите плафон на место, подключите кабель питания к розетке и завершите процедуру замены лампы. Теперь Вы можете использовать духовку.

#### Тип G9 лампы



220-240 В, АС  
15-25 Вт

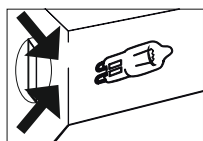


Рис. 13

#### Тип E14 лампы



220-240 В, АС  
15 Вт



Рис. 14

\* в зависимости от модели

## ПОИСК И УСТРАНЕНИЕ НЕИСПРАВНОСТЕЙ

Если у Вас возникла проблема с духовкой, попробуйте устранить неполадку, используя таблицу ниже.

### Возможные неполадки.

Неисправность	Вероятная причина	Рекомендации по устранению
Духовка не работает.	Источник питания недоступен.	Проверьте наличие электропитания.
Духовка останавливается во время приготовления.	Возможно, вилка отсоединена от розетки.	Вставьте штепсельную вилку в розетку.
Духовка отключается во время приготовления.	Непрерывная работа в течение слишком долгого времени.	Дайте духовке остыть после длительных циклов приготовления.
	Охлаждающий вентилятор не работает.	Слушайте звук от охлаждающего вентилятора.
	Духовка установлена в плохо проветриваемом месте.	Удостоверьтесь, что соблюдены зазоры, указанные в инструкциях по эксплуатации.
	Несколько устройств подключены к одной розетке.	Подключите только один прибор к розетке.
Наружные поверхности прибора сильно нагреваются во время работы.	Духовка установлена в плохо проветриваемом месте.	Удостоверьтесь, что соблюдены зазоры, указанные в инструкциях по эксплуатации.
Дверца духовки не открывается должным образом.	Загрязнение петель и уплотнителя.	Очистите духовку и попытайтесь открыть дверцу снова
Внутренний свет тусклый или не включается.	Загрязнение плафона	Очистите плафон
	Возможно, неисправна лампа.	Установите новую лампу с теми же характеристиками.
Поражение электрическим током при касании духовки.	Заземление не выполнено должным образом.	Убедитесь, что прибор подключен к розетке с заземлением.
	Используется розетка без заземления.	

Неисправность	Вероятная причина	Рекомендации по устранению
<p>Пар выходит из зазоров на дверце духовки.</p> <p>Вода в духовке.</p>	<p>Вода или пар могут образовываться при определенных условиях в зависимости от приготовленной пищи. Это не является неисправностью прибора.</p>	<p>Дайте духовке остыть и вытрите тканью.</p>
<p>Охлаждающий вентилятор продолжает работать после завершения приготовления.</p>	<p>Вентилятор работает в течение определенного периода времени для вентиляции внутреннего пространства духовки.</p>	<p>Это не является неполадкой прибора; поэтому вам не нужно беспокоиться.</p>
<p>Духовка не греет</p>	<p>Дверца духовки открыта.</p>	<p>Закройте дверцу и включите духовку повторно</p>
	<p>Режим духовки неправильно установлен.</p>	<p>Прочтите раздел, касающийся работы духовки(проверьте установку таймера)*</p>
	<p>Сработал автоматический выключатель</p>	<p>Включите автоматически выключатель. Если выключатель снова сработал, обратитесь к электрику.</p>
<p>Дым во время работы.</p>	<p>При включении духовки в первый раз</p>	<p>Обгорание нагревателей. Это не является неисправностью.</p>
	<p>Остатки пищи на нагревателе.</p>	<p>Дайте духовке остыть и очистите остатки пищи на дне духовки и поверхности верхнего нагревателя.</p>
<p>При работе духовки образуется запах гари или пластика.</p>	<p>В духовке используется пластиковая или нетермостойкая посуда.</p>	<p>Используйте посуду для высоких температур.</p>
<p>Духовка не готовит должным образом.</p>	<p>Дверца духовки часто открывается во время приготовления.</p>	<p>Не открывайте дверцу духовки часто, если еда, которую вы готовите, не требует переворачивания. Если вы часто открываете дверцу, внутренняя температура падает, это будет влиять на результат приготовления.</p>

## Правила транспортировки

1. Не используйте дверцу духовки и/или ручку при переносе и транспортировке прибора.
2. Переносите и перевозите прибор в оригинальной упаковке.
3. При погрузке, разгрузке соблюдайте крайнюю осторожность.
4. Перед перемещением и транспортировкой убедитесь, что упаковка надежно закрыта.
5. Защищайте прибор от внешних факторов (таких как влажность, вода и т. д.), которые могут повредить упаковку.
6. Во время переноса и транспортировки предохраняйте прибор от ударов.

## СОВЕТЫ ПО ЭНЕРГОСБЕРЕЖЕНИЮ

Некоторые советы помогут Вам, комфортно эксплуатировать прибор и сэкономить электроэнергию.

1. Используйте темные и эмалевые сосуды, теплопроводность которых выше.
2. Предварительно разогревайте духовку, если это прописано в рецепте.
3. Не открывайте дверцу духовки во время приготовления.
4. Вы можете готовить несколько блюд одновременно, поставив второе блюдо на другой уровень.
5. Готовьте, блюда одно за другим. Духовка не теряет тепло.
6. Выключайте духовку за несколько минут до окончания времени приготовления. В этом случае не открывайте дверцу духовки.
7. Перед приготовлением размораживайте замороженные продукты питания.



## УТИЛИЗАЦИЯ БЫТОВОЙ ТЕХНИКИ

1. Данное изделие не содержит опасных и запрещенных веществ. Соответствует требованиям положений Директивы ЕС об отходах электрического и электронного оборудования
2. Данное изделие произведено из высококачественных деталей и материалов, которые могут быть переработаны и повторно использованы.
3. Не следует выбрасывать ваше изделие вместе с бытовыми отходами по истечении его срока службы. Необходимо сдать его в пункт сбора для переработки отходов электрического и электронного оборудования.

Помогите защитить окружающую среду и природные источники путем переработки отработанных изделий.

## УПАКОВКА

Материалы упаковки устройства произведены из перерабатываемого материала в соответствии с нашим национальным законодательством. Не выбрасывайте упаковочные материалы вместе с бытовыми и иными отходами, сдавайте их в пункты сбора упаковочных материалов.

В целях безопасности детей перед утилизацией данного изделия необходимо отрезать электрический кабель, чтобы предотвратить его включение.



Страна происхождения - Турция

Изготовитель:

**«СЕРСИМ ДАЙАНЫКЛЫ ТЮКЕТИМ МАЛЛАРЫ САНАЙИ ВЕ ТИДЖАРЕТ КОЛЛЕКТИФ ШИРКЕТИ ИБРАХИМ ВЕ МУСТАФА УСТАОГЛУ»,**

**Юр.адрес: Кайсери Сербест Бёлгеси, Анбар SB Махаллеси, 12 Джадде, Серсим ситеси KSR-125/130, Апартаман №17, Меликгази, Кайсери, Турция**

**Адрес производства: Сербест Бёлге, 12 Джадде №18, Меликгази, Кайсери, Турция**

**«SERSIM DAYANIKLI TUKETIM MALLARI SANAYI VE TIGARET KOLLEKTIF SIRKETI IBRAHIM VE MUSTAFA USTAOGLU»,**

Legal address: Kayseri Serbest Bolgesi, Anbar SB Mahallesi, 12 Cadde, Sersim Sitesi, KSR-125/130, Apartman №17, Melikgazi, Kayseri, Turkiye

Manufacturer's address: Serbest Bolge 12. Cadde No.18, Melikgazi, Kayseri, Turkiye

Импортер/Организация, уполномоченная на принятие претензий от покупателей:

**ООО «СИМРУС» ИНН 7717705825, КПП 771901001, ОГРН 1117746641891**

**Юридический /фактический адрес: 105318, Москва, Ткацкая ул. д. 5, корп.7, этаж 2**

При возникновении гарантийного случая необходимо обращаться в авторизованные сервисные центры. Список авторизованных сервисных центров обслуживания в Вашем городе указан в данном руководстве по эксплуатации. Если в Вашем городе отсутствует авторизованный сервисный центр, Вам следует обратиться в магазин, где Вы приобрели товар.

Получить информацию о сервисном обслуживании в Вашем городе Вы можете по телефонам: 8 (495) 969-02-86, 969-02-87

Срок гарантии - 24 месяца

Срок службы - 10 лет

Дата изготовления – указана на изделии



## **ҚҰРМЕТТІ САТЫП АЛУШЫ!**

Delvento тұрмыстық техникасын таңдағаныңызға алғыс білдіреміз!

Delvento – бұл сапа, сенімділік және сатып алушылардың тұтынушылығына деген ілтипатты қатынас. Сізге біздің компанияның өнімі ұнайтындығына және болашақта сіз Delvento техникасын тағы да таңдайтыныңызға үміт артамыз.

Осы бұйым қоршаған ортаға зиян келтірмей, заманауи жабдықта жасалған.

Электрлік және электрондық жабдықтардың қалдығы туралы ЕК директивасының (WEEE) ережелерінің талаптарына сәйкес келеді.

### **ЕСКЕРТПЕ**

Осы пайдалануға беру жөніндегі нұсқаулық бірнеше модельдерге арналған, бар тәртіптері мен функциялары ерекшеленуі мүмкін. Суреттердің барлығы схемалық түрде берілген. «\*» белгісімен белгіленген функциялар мен жинақ бөлімдері қосымша опция болып табылады және сіздің бұйымыңызда болмауы мүмкін.

Нұсқаулықпен мұқият танысып шығу керек, нұсқаулықта қауіпсіз орнатуға, пайдалануға беру мен техникалық қызмет көрсетуге қатысты маңызды нұсқаулар беріледі. Пайдалануға беру жөніндегі нұсқаулықты ары қарай пайдалану үшін оның сақтылығын қамтамасыз етіңіз. Осы құралды жаңа иесіне берген кезде барлық құжаттарды бірге беруді ұмытпаңыз.

## Мазмұны

Маңызды ескертулер .....	77
Электрлік қосылыс (қосу) .....	82
Аспаптың сипаттамасы .....	84
Аксессуарлары .....	85
Техникалық сипаттамасы .....	86
Аспапты орнату .....	87
Басқару панелі .....	91
Батырмалы ауыстырғыштарды пайдалану .....	91
Пайдалануға беру .....	91
Грильді пайдалану .....	92
Шанышқыны пайдалану .....	93
Ас дайындау тәртіптері .....	93
Ас дайындауға қатысты кеңестер .....	94
Ас дайындау кестесі .....	94
Пицца пісіруге арналған тасты пайдалану .....	96
Күтім көрсету және тазалау .....	96
Бумен тазалау .....	97
Есіктерді тазалау және орнату .....	97
Әйнекті тазалау .....	98
Каталитикалық қабырғалар .....	98
Бағыттаушылардың күйі .....	99
Шамды ауыстыру .....	99
Бұзылыстарды іздеу және жою .....	99
Тасымалдау ережелері .....	100
Энергияны үнемдеуге қатысты кеңестер .....	101
Экологиялық қауіпсіз кәдеге а сыру .....	101
Қаптама тур алы ақпарат .....	102

## МАҢЫЗДЫ ЕСКЕРТУЛЕР

1. Құралды орнату мен жөндеуді **АВТОРЛАНДЫРЫЛҒАН СЕРВИС ОРТАЛЫҒЫ** жасауы керек. Өндіруші ресми емес сервистер жүзеге асырған жұмыстар үшін жауапкершілікте болмайды.
2. Осы пайдалануға беру жөніндегі нұсқауларды ұқият оқып шығыңыз. Сол арқылы сіз аспапты қауіпсіз және дұрыс пайдалана аласыз.
3. Тұмшапеш шкафын пайдалануға беру жөніндегі нұсқауларға сәйкес пайдалану керек.
4. Жасы 8 төмен балалардың мен үй жануарларының аспап жұмыс істеп тұрған кезде жақындауына жол бермеңіз.
5. Кейбір бөліктері пайдалану кезінде ыстық болуы мүмкін. Кішкентай балалардың пешке жақындауына жол бермеңіз.
6. **ЕСКЕРТУ!** Өртке қауіпті: қандай да бір заттарды тұмшапеш шкафында сақтауға болмайды.
7. **ЕСКЕРТУ!** Жұмыс істеген кезде тұмшапеш қызады. Тұмшапештің ішкі элементтерін қорғау құралдарысыз ұстауға болмайды.
8. Осы аспаптың сипаттамасы зауыттық кестеде көрсетілген.
9. Грильді пайдаланған кезде беттер ыстық болуы мүмкін. Кішкентай балалардың пешке жақындауына жол бермеңіз.
10. **ЕСКЕРТУ:** Бұл аспап тамақ дайындауға арналған. Оны бөлмені жылыту сияқты басқа мақсаттарда пайдалануға болмайды.
11. Бумен тазалағыштарды аспапты тазалау үшін пайдалануға болмайды.
12. Тамақты тұмшапешке салғаннан кейін тұмшапештің есіктерінің толық жабық екендігіне көз жеткізіңіз.
13. **ЕШҚАШАН** отты сумен өшіруге талпыныс жасамаңыз. Бірінші аспаптың қуаттануын өшіріңіз, артынан жалынды қақпақпен немесе өрт көрпешесімен жабыңыз.
14. **ЕСКЕРТУ!** Егер 8 жасқа дейінгі балаларға тұрақты бақылау болмаса, онда олар қашықтықта болуы керек.
15. Қыздыратын элементтермен байланысқа жол бермеу керек.

**16. НАЗАР АУДАРЫҢЫЗ: Ас дайындау үдерісін қараусыз қалдыруға болмайды.**

17. Осы құралды, егер көрсетілген тұлғалар қауіптілік дәрежесін түсінетін болса, 8 жастан бастап және одан үлкен балалар, сонымен қатар дене, сенсорлық немесе жадылық қабілеттіліктері шектеулі тұлғалар немесе тәжірибе мен білім жоқ болса бақылау арқылы, немесе аспапты пайдалану жөнінде нұсқау алған кезде пайдалана алады. Балалардың аспаппен ойнауына болмайды. Ересектердің бақылаусыз балалар аспапты тазаламауы немесе қызмет көрсетпеуі керек.

18. Осы аспап тек тұрмыстық жағдайда пайдалану үшін әзірленген.

19. Аспап пен қуаттандыру бауын 8 жастан төмен жастағы балалар үшін қолжетімсіз жерде сақтау керек.

20. Аспапты пайдалануды бастамас бұрын перде, тюль, қағаз немесе кез-келген тұтанатын (тұтануы мүмкін) материалды қауіпсіз қашықтыққа алып қойыңыз. Тұтанатын немесе оңай тұтанатын материалдарды аспапқа немесе оның ішіне қоюға болмайды.

21. Желдеткіш арналарын ашық ұстаңыз.

22. Аспап сыртқы таймері немесе дистанциондық басқарудың жеке жүйесімен пайдалануға беруге жарамайды.

23. Консервілер мен шыны құтыларды қыздыруға болмайды. Қысым құтының жарылуына әкелуі мүмкін.

24. Тұмшапеш шкафының тұтқасы сүлгі кептіргіш болып табылмайды. Тұмшапештің тұтқасына сүлгілерді ж.с.с. ілуге болмайды.

25. Қаңылтыр табаны, плитаны немесе тұмшапешке арналған алюминий жұқалтырды тікелей тұмшапештің төменгі бөлігіне орналастыруға болмайды. Жиналып қалған жылу пештің негізін бұзуы мүмкін.

26. Тамақ азықтарын тұмшапешке салған немесе оның ішінен тамақты шығарған кезде үнемі термотұрақты қолғапты пайдаланыңыз.

27. Аспапты өзіңіздің жады қызметіңізге немесе координацияңызға ықпал етуі мүмкін жағдайда, мысалы, дәрінің және/немесе алкогольдің әсерімен, пайдалануға болмайды.

28. Алкогольді тамақпен араластырған кезде сақ болыңыз. Алкоголь жоғары температура кезінде буланады және ыстық беттермен жанасқан кезде өрт шығуы мүмкін.

**29.** Әрбір пайдаланғаннан кейін аспаптың өшірулі екендігін тексеріңіз.

**30.** Егер аспап бұзылған немесе көзге көрінетін бұзылыстары бар болса, онда оны пайдалануға болмайды.

**31.** Штепсельдік айырды дымқыл қолмен ұстауға болмайды. Аспапты электрлік қуаттандыру желісінен өшіру үшін қуаттандыру бауынан тартуға болмайды: үнемі айырды қолыңызбен ұстаңыз.

**32.** Егер есіктің әйнегі жоқ немесе сынған болса, онда аспапты пайдалануға болмайды.

**33.** Ас пісіруге арналған қағазды тамақпен бірге алдын-ала қыздырылған тұмшапешке салыңыз, оны тұмшапешке немесе тұмшапешке арналған аксессуарға (қаңылтыр таба, сымды тор ж.с.с.) төмеу керек.

**34.** Аспапқа балалар үшін қолжетімді болуы мүмкін заттарды салуға болмайды.

**35.** Тор мен қаңылтыр табаны бағыттаушыға дұрыс орнату маңызды.

Торды немесе қаңылтыр табаны екі бағыттаушының ортасына орнатыңыз және оған тамақ қоярдың алдында оның сенімді ұсталынып тұрғанына көз жеткізіңіз.

**36.** Тұмшапештің қыздыратын элементтеріне қол тигізу қаупінің алдын алу үшін пісіруге арналған қағаздың шетінен шығып тұруы мүмкін артық бөліктерін алып тастаңыз.

**37.** Тұмшапешті ешқашан өзіңіздің пісіруге арналған қағазыңызда көрсетілген максималдық температурадан жоғары температура кезінде пайдалануға болмайды. Пісіруге арналған қағазды тұмшапештің түбіне орналастыруға болмайды. Тұмшапештің қыздыратын элементтеріне қол тигізу қаупі үшін пісіруге арналған қағаздың шетке шығып тұрған артық бөліктерін алып тастаңыз.

**38.** Ауыр заттарды ашық есікке қоюға және есікке балалардың отыруына жол бермеңіз. Бұл пештің ауып кетуіне немесе есіктің ілмегінің бұзылуына әкелуі мүмкін.

**39.** Қаптамалық материалдар балалар үшін қауіп тудырады. Қаптамалық материалдарды балалар үшін қолжетімсіз жерде сақтаңыз.

**40.** Әйнекті тазалау үшін абразивтік тазалайтын құралдарды немесе үшкір металл қырғыштарды пайдалануға болмайды, себебі, есік әйнегінің бетінде пайда болуы мүмкін сызаттар әйнектің сынуына әкелуі мүмкін.

41. Пайдаланушы пешті өздігінен жөндемеуі керек.
42. Пайдаланған кезде тұмшапештің ішкі және сыртқа беттері ыстық болады. Тұмшапештің есіін ашқан кезде, ішінен шығатын ыстық буға ұрылмау үшін артқа қарай шегініңіз. Күйіп қалу қаупі бар.
43. Аспапты пайдаланған кезде оны дымқыл қолыңызбен ұстамаңыз.
44. Тазалаған кезде аспапты қосуға болмайды. Бұл электр тогының ұруына әкелуі мүмкін.
45. Тұмшапештің қуатын үйде құрылыс жұмыстары болған кезде өшіру керек. Жұмыстар аяқталғаннан кейін тұмшапешті электрлік желіге қосуды авторландырылған сервис орындауы керек.
46. Қызуға жол бермеу үшін аспапты декоративтік жабынның артына орнатуға болмайды.
47. Хромдалған бағыттаушыларды шешудің алдында аспапты өшіріңіз. Тазалап болғаннан кейін бағыттаушыларды кері тәртіпте орнатыңыз.
48. Шоғырсымды бекітудің нүктелері қорғалуы керек.
49. Тамақты тікелей қаңылтыр табада немесе торда дайындауға болмайды. Тамақты тұмшапешке салардың алдында оны тиісті ыдысқа салыңыз.

### **Электрлік қауіпсіздік**

1. Құралды техникалық сипаттаманың кестесінде берілген мәндерге сәйкес келетін сақтаңдырғышпен қорғалған тұйықтандырылған розеткаға қосыңыз.
2. Тұйықтандыру жабдығын реттеуді білікті электрик орындауы керек. Біздің компания жергілікті ережелерге сәйкес тұйықтандырылмаған аспапты пайдалануға беру нәтижесінде тууы мүмкін шығын үшін жауапкершілікте болмайды.
3. Аспапты қосқан кезде автоматты түрде өшіргіштерді, аққан токтан қорғайтын автоматтарды пайдалану керек.
4. Қуаттандыру бауы (штепсельдік айыры бар бау) аспаптың ыстық бөліктерімен жанаспауы керек.
5. Егер қуаттандыру бауы (штепсельдік айыры бар бау) бұзылған болса, онда қауіпке жол бермеу үшін ондай бауды өндіруші немесе оның техникалық қызмет жөніндегі диоері немесе білікті қызметкер ауыстыруы керек.



6. Аспапты ешқашан оған су шашу немесе құю арқылы жууға болмайды. Электрлік тогының соғу қаупі бар.
7. **ЕСКЕРТУ:** Электрлік тогының соғуына жол бермеу үшін шамды ауыстырардың алдында аспаптың қуаты өшірулі екендігіне көз жеткізіңіз.
8. **ЕСКЕРТУ:** Қызмет көрсету алдында тізбектің барлық байланыстарын электрлік қуаттан ажырату керек.
9. Үзілген немесе бұзылған бауларды немесе ұзартқыштарды пайдалануға болмайды; тек түпнұсқалық бауды пайдалану керек.
10. Штепсельдік айырды розеткаға қосқан кезде розеткада сұйықтықтың немесе ылғалдың жоқ екендігіне көз жеткізіңіз.
11. Тұмшапештің артқы панелі де пайдалануға беру кезінде қызады. Электрлік қосылыстар артқы панельмен жанаспауы керек, кері жағдайда қосылыстар бұзылуы мүмкін.
12. Қосатын шоғырсымдарды тұмшапештің есігіне бекітуге және шоғырсымдарды ыстық бет арқылы төсеуге болмайды. Егер бау еріп кетсе, бұл тұмшапештің қысқаша тұйықталуына, тіпті өртке әкеп соғуы мүмкін.
13. Орнату, техникалық қызмет көрсету, тазалау және жөндеу үшін аспапты электрлік қуаттандыру желісінен өшіріңіз.
14. Қуаттандыру бауы бұзылған жағдайда, қауіпті жағдайларға жол бермеу үшін оны ұқсас бауға алмастыру үшін өндірушіге, авторландырылған сервистік орталыққа немесе кез-келген білікті маманға жүгіну керек.
15. Ұшқынға жол бермеу үшін штепсельдік айырдың розеткаға тығыз салынғанына көз жеткізіңіз.
16. Аспапты тазалаған кезде бумен тазалағыштарды пайдалануға болмайды, кері жағдайда бұл электрлік тогының соғуына әкелуі мүмкін.
17. Аспап барлық байланыстарды желіден ажыратуға мүмкіндік беретін ажыратқыш құрал арқылы электрлік желіге қосылуы керек.
18. Аспап «Ү» типті қуаттандыру бауымен жасақтандырылған.
19. Жылжымайтын қосылыстар көп полюстік өшіруді қамтамасыз ететін қуаттандыру көзіне қосылуы керек. Артық күш жұмсаудан қорғанысы III санаттан төмен аспаптар үшін өшіру құралы сымның кодына сәйкес келетін бекітілген кернеуі бар қуаттандыру көзіне қосылуы керек.

## **Мақсатты пайдалану**

1. Осы құрал тұрмыстық жағдайларда пайдалануға арналған. Аспапты коммерциялық пайдалануға жол берілмейді.
2. Осы аспап тамақ дайындауға арналған. Оны бөлмені жылыту сияқты басқа мақсаттарда пайдалануға болмайды.
3. Осы аспапты оларды қыздыру үшін жылыту жолы арқылы киімді, сүлгілерді кептіру үшін пайдалануға болмайды.
4. Өндіруші құралды дұрыс емес пайдалану немесе жұмыс істеу нәтижесінде туған қандай да бір бұзылыстар үшін жауапкершілікте болмайды.
5. Аспапты азықты еріту, қуырып пісіру, қуыру және грильде дайындау үшін пайдалануға болады.
6. Сіз сатып алған аспаптың қызмет ету мерзімі 5 жылды құрайды. Осы кезең ішінде осы аспаптың жұмысына қажетті қосалқы бөлшектерді өндіруші ұсынатын болады.

## **ЭЛЕКТРЛІК ҚОСЫЛЫС**

Осы пешті орнату мен қосуды уәкілетті сервис және өндіруші көрсеткен нұсқауларға сәйкес орындалуы керек. Аспапты жақсы желдетуді қамтамасыз ететін пешке арналған бөлек орынға орнату керек.

Аспапты электрлік желімен қосуды тұйықтандырудың тиісті жүйесі бар розетка арқылы ғана орындау керек. Егер аспапты орныту орнында тұйықтандыру жүйесі бар розетка жоқ болса, онда уәкілетті қызметкерге хабарласыңыз. Өндіруші қуаттандырудың тұйықтандырылмаған жүйесіне аспапты қосу нәтижесінде туған шығын үшін жауапкершілікте болмайды. Сіздің тұмшапешіңіздің айыры тұйықтандырумен жарақтандырылған, қосуға арналған розетка да тұйықтандырылғанына көз жеткізіңіз. Аспапты орнатқаннан кейін розетка оғай қол жететін жерде орналасуы керек.

Сіздің пешіңіз 220-240 V 50/60 Hz электрлік қуаттандыруға сәйкес дайындалған. Және AC қуаттылығы 16 Аmp сақтандырғышын ортануды талап етеді. Егер сіздің желі көрсетілген мәндерден ерекшеленетін болса, онда уәкілетті сервиспен немесе кәсіби электрикпен хабарласыңыз.

Электрлік сақтандырғышты ауыстыру қажет болған жағдайда, электрлік қосылыс келесі жолмен орындалғанына көз жеткізіңіз:

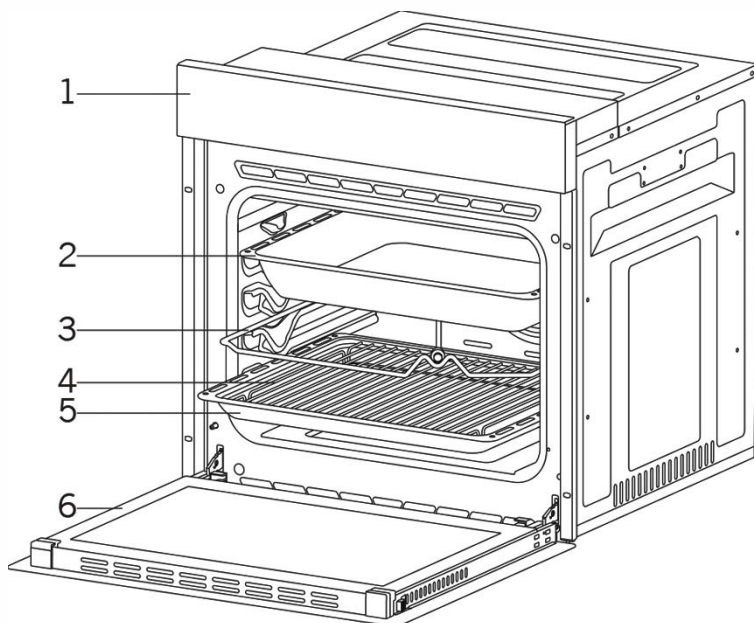
- қоңыр шоғырсым фазаға (жұмыс байланысы);
- көк шоғырсым бейтарап байланысқа;
- сары-жасыл шоғырсым тұйықтандыру байланысына қосылған.

Қуаттандыру тізбегінің ажыратқыштары пайдаланушы үшін қолжетімді жерде орналасуы керек.

Қуаттандыру шоғырсымы (айыры бар шоғырсым) аспаптың қызатын беттерімен байланыспауы керек.

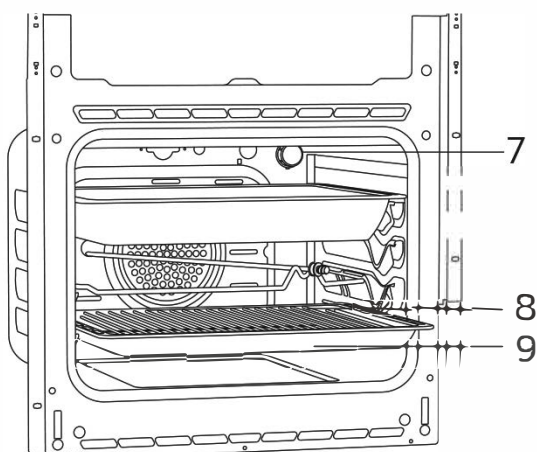
Қуаттандыру шоғырсымы (айыры бар шоғырсым) бұзылған жағдайда, қауіпті жағдайлар туудың алдын алу мақсатында оны дайындаушы немесе оның сервистік агенттілігі немесе кәсіпкер ауыстыруы керек.

## АСПАПТЫҢ СИПАТТАМАСЫ



- 1. Басқару панелі
- 2. Терең қаңылтыр таба\*
- 3. Шанышқы\*



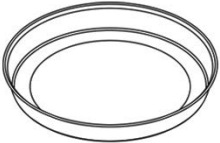
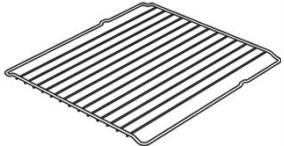


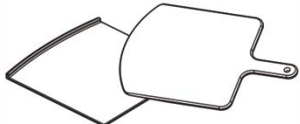
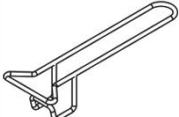
- 4. Қаңылтыр таба арналған тор\*
- 5. Стандарттық қаңылтыр таба
- 6. Тұмшापештің есігі



- 7. Лампа

\* моделіне байланысты

## Аксессуарлары (таңдамалы түрде, қосымша опциялар)

	<p><b>Терең қаңылтыр таба*</b> Нан-бөлішке өнімдерін пісіру, үлкен пісірме, сұйық тамақтар дайындау үшін қолданылады. Кекстер пісіру үшін, сонымен қатар ет тамақтарын пісірген немесе мұздатылған азықтарды грильде ертікен жағдайда май жинауға арналған жинағыш ретінде пайдаланылады.</p>
	<p><b>Қаңылтыр таба/Әйнекті қаңылтыр таба*</b> Нан-бөлішке өнімдерін (печенье, бисквиттер ж.т.б.) пісіру, азықтарды еріту үшін пайдаланылады.</p>
	<p><b>Дөңгелек таба*</b> Нан-бөлішке өнімдерін пісіру, азықтарды еріту үшін пайдаланылады.</p>
	<p><b>Тор (гриль)</b> Қуырып пісіру үшін, сонымен қатар азықтарды пісіруге орналастыру, қажетті дәрежеде қуырып пісіру немесе еріту үшін пайдаланылады.</p>
	<p><b>Телескопиялық бағыттаушылар*</b> Телескопиялық бағыттаушылардың арқасында жайпақ табақтар немесе торлар оңай орнатылып, шешіледі.</p>
	<p><b>Қаңылтыр табаға арналған тор*</b> Қуырып пісіру кезінде күйіп кетуі мүмкін жаншылған тамақ сияқты азықтар жайпақ табаның ішіне торға салынады. Осылайша, азықтың жайпақ табаққа жабысуына және күйіп кетуіне жол берілмейді.</p>
	<p><b>Пицаға арналған тас және тақта*</b> Олар пицца, нан, құймақ пісіру және пісірілген тамақты тұшпапештен шығару үшін пайдаланылады.</p>
	<p><b>Қаңылтыр табаның тұтқасы*</b> Ыстық қаңылтыр табаларды ұстау үшін пайдаланылады.</p>

## Техникалық сипаттамасы\*

<b>Сипаттамасы</b>	<b>Кірістірілген тұмшапеш 60 см (6 функцияға дейін)</b>			
Шамның қуаттылығы	15-25 Вт			
Термостат	40-240 / Max °C			
Төменгі қыздырғыш	1200 Вт			
Жоғары қыздырғыш	1000 Вт			
Турбо қыздырғыш	1800 Вт			
Грильдің қыздырғышы	Кіші гриль	1200 Вт	Үлкен гриль	2400 Вт
Кернеуі	220-240 В 50/60 Гц			
<b>Сипаттамасы</b>	<b>Кірістірілген тұмшапеш 60 см (8 функцияға дейін)</b>			
Шамның қуаттылығы	15-25 Вт			
Термостат	40-240 / Max °C			
Төменгі қыздырғыш	1200 Вт			
Жоғары қыздырғыш	1000 Вт			
Турбо қыздырғыш	1800 Вт			
Грильдің қыздырғышы	Кіші гриль	1000 Вт	Үлкен гриль	2000 Вт
Кернеуі	220-240 В 50/60 Гц			

Аспаптың техникалық сипаттамасын жақсарту мақсатында алдын-ала ескертусіз аспапқа өзгерістер енгізілуі мүмкін.

Бұйымның белгілерінде берілген немесе бұйыммен бірге жеткізілген қосымша баспа құжаттамада декларацияланатын мәндер белгіленген стандарттарға сәйкес зертханалық жағдайларда алынған мәндер болып табылады. Бұл мәндер бұйымды пайдалану амалына және оны пайдалануға беру шарттарына байланысты ауысуы мүмкін.

Нұсқаулықта берілген суреттер схемалық болып табылады және өнімнің шынайы түрін көрсете бермейді.

## АСПАПТЫ ОРНАТУ

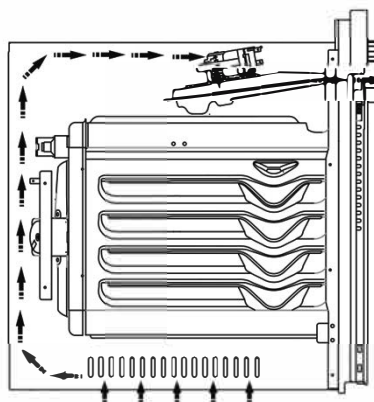
Аспаптың құмысқа қабілеттілігін қамтамасыз ету мақсатында электрлік жабдықтың талаптарға сәйкес келетіндігіне көз жеткізіңіз. Сәйкессіздік жағдайында тиісті түзетуді жасау үшін кәсіби электрликті немесе жөндеушіні шақырыңыз. Өндіруші операцияларды уәкілетті емес тұлғалар орындаудың нәтижесінде туған зиян үшін жауапкершілікте болмайды, бұл кепілдеме әрекетінің тоқтауына әкеледі.

**ЕСКЕРТУ:** Сатып алушы аспап пен электрлік жабдықты орналастыратын орынды дайындау үшін жауапкершілікте болады.

**ЕСКЕРТУ:** Бұйымды монтаждау кезінде жергілікті стандарттар электрлік жұмыстар бөлігінде белгілеген ережелерді сақтау керек.

**ЕСКЕРТУ:** Аспапты орнату алдында оны қандай да бір бұзылыстардың бар-жоқтығына тексеріңіз. Егер аспап бұзылған болса, онда оны орнатуға болмайды. Бұзылған аспаптар сіздің қауіпсіздігіңіз үшін қауіп тудырады.

### Орнатуға қатысты маңызды ескертулер:



1-сурет

Пеш жұмыс істеген кезде суытатын желдеткіш артық буды сыртқа қарай шығаратын және аспаптың сыртқы беттерінің қатты қызуының алдын алатын болады. Бұл аспаптың дұрыс жұмыс істеуіне және тамақты бірқалыпты дайындау үшін керек.

Тамақ пісіру аяқталғаннан кейін желдеткіш жұмыс істеуін жалғастырады. Суыту аяқталған кезде желдеткіш автоматты түрде өзі өшеді.

Аспапты орнатуға арналған жердің артқы жағында аспаптың сапалы және дұрыс жұмысына арналған кеңістікті қарастыру керек.

Бұл кеңістікті жабуға болмайды, себебі, ол аспаптың желдету жүйесінің дұрыс жұмысына қажетті.

### Монтаждауға арналған дұрыс орын

Бұйымның дизайны нарықта қолжетімді үстелдің үстіңгі тақтайына сәйкес әзірленген. Аспап пен ас үйдің қабырғаларының немесе жиһаздың арасында қауіпсіз арақашықтық қалдыру керек. Тиісті арақашықтық үшін келесі бетте ұсынылған диаграмманы қараңыз (мәндер мм берілген).

• Пайдаланатын материалдар, синтетикалық ламинат және желімденетін материалдар ыстыққа төзімді (кемінде 100°C) болуы керек.

• Ас үй шкафтары аспаппен бір деңгейде болуы және бекітілген болуы керек.

• Егер пештің астында жылжымалы жәшік болса, онда пеш пен жәшіктің арасында панель орнату керек.

**ЕСКЕРТУ:** Аспапты тоңазытқыштарға немесе суытатын аспаптарға жақын орнатуға болмайды. Аспаптан шығатын ыстық суытатын аспаптардың энергияны тұтынушылығын арттыруы мүмкін.

**ЕСКЕРТУ:** Аспапты жылжыту үшін есікті немесе есіктің тұтқасын пайдалануға болмайды.

### **Кірістірмелі тұмшапешті орнату**

Орнату алдында аспапты пайдаланатын орынды анықтау алу керек.

Аспапты ауаның қатты ағындары бар жерлерге орнатуға болмайды.

Аспапты кем дегенде екі адам жылжытуы керек. Еден жабынының бұзылысына жол бермеу үшін аспапты сүйретуге болмайды.

Аспаптың сыртындағы және ішіндегі барлық тасымалдау материалдарын алып тастаңыз. Аспаптан барлық материалдар мен құжаттаманы алыңыз.

### **Үстелдің үстіңгі тақтайына сай орнату**

Бөлек орын 2-суретте көрсетілген өлшемге сәйкес келуі керек.

Бөлек орынның артқы бөлігінде қажетті желдетуді қамтамасыз ету мақсатында суретте көрсетілгендей кеңістікті қамтамасыз ету керек.

Орнатқаннан кейін қалуы керек үстелдің үстіңгі тақтайы мен аспаптың жоғары бөлігінің арасындағы кеңістік 5-суретте «А» әрпімен белгіленген. Бұл кеңістік желдету үшін керекті және жабылмауы керек.

### **Шкафқа орнату**

Бөлек орын 4-суретте көрсетілген өлшемдерге сәйкес келуі керек.

Бөлек орынның артқы бөлігінде, төменгі жоғары бөліктерде қажетті желдетуді қамтамасыз ету мақсатында суретте көрсетілгендей кеңістікті қамтамасыз ету керек.

### **Орнату шарттары**

Аспаптың өлшемдері 3-суретте берілген.

Жиһаздың беті мен орнату үшін пайдаланатын монтаждық



Аспаптың төңкеріліп кетуіне жол бермеу үшін орнатуға арналған бөлек орын бекітілуі, ал негіз жазық болуы керек.

Бөлек орынның негізі 60 кг минималдық жүктемені көтеруі керек.

### Пешті орнату және бекіту

Пешті бөлек орынға бір немесе одан да көп адамның көмегімен орнатыңыз.

Аспаптың жиектемесі мен жиһаздың алдыңғы бөлігі теңдестірілгеніне көз жеткізіңіз.

Қуаттандыру бауы пештің астында қалмауы, пеш пен жиһаздың арасында қысылып қалмауы және майысып қалмауы керек.

Тұмшапешті жиһазға аспаппен бірге берілетін бұрандалы шегенің көмегімен бекітіңіз. Бұрандалы шегені 5-суретте көрсетілгендей оларды аспаптың жиектемесіне орнатылған пластик бекіткіштерге кигізіп, бұрау керек. Бұрандалы шегелерді тым қатты бұраудың керегі жоқ. Кері жағдайда бұранда бұзылып, пластик бүлінуі мүмкін.

Орнатқаннан кейін тұмшапештің берік бекітілгендігіне көз жеткізіңіз.

Егер тұмшапеш нашар бекітілген болса, онда оны пайдалану кезінде түсіп кету қаупі бар.

### Желіге қосу

Тұмшапешті қосатын орын тиісті розеткамен жабдықтылуы керек.

Желінің кернеуі аспаптың типтік этикеткасында көрсетілген мәндерге сәйкес келуі керек.

Аспапты қосу электрлік желінің жергілікті және ұлттық стандарттарына сәйкес орындалуы керек.

Аспапты орнатуды бастаудың алдында желідегі қуатты өшіріңіз.

Орнату үдерісі аяқталғанға дейін аспапты желіге қоспаңыз.

### Монтаждау

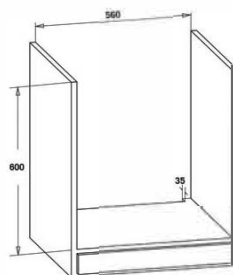
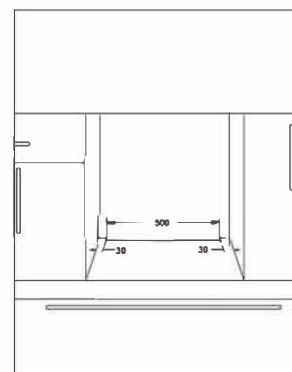
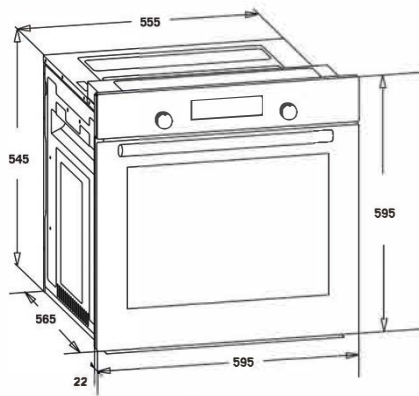


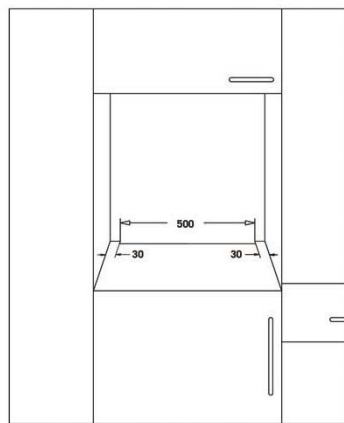
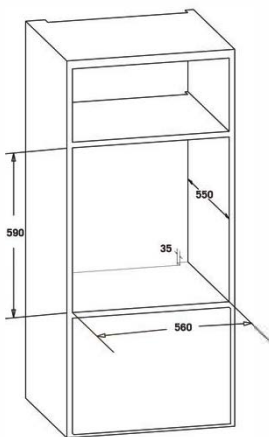
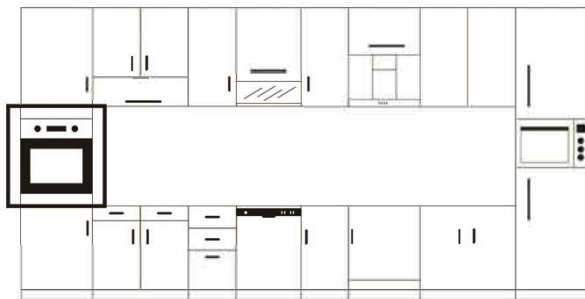
Figure 2



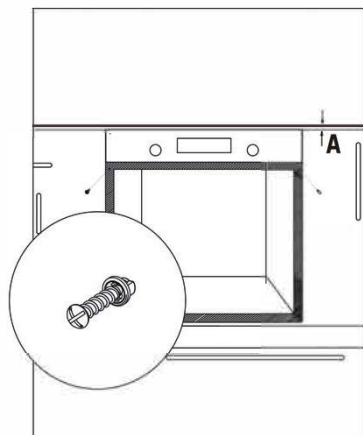
2-сурет



**3-цурет**

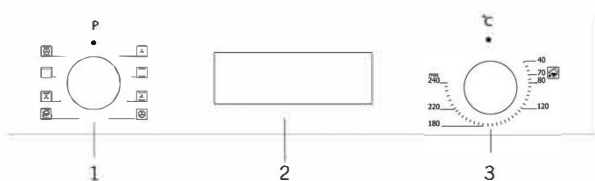


**4-цурет**



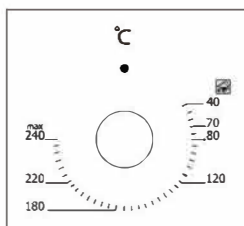
**5-цурет**

## БАСҚАРУ ПАНЕЛІ

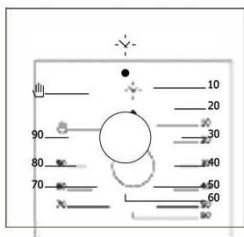


1. Тұмшапеш тәртіптерін ауыстырғыш
  2. Механикалық немесе сандық таймер (жоқ болуы мүмкін)
  3. Термостат\*
- \* модельге байланысты

**ЕСКЕРТУ:** Басқарудың көрсетілген панелі мысал ретінде ғана берілген. Өзіңіздің аспабыңызда орнатылған басқару панеліне бейімделіңіз.



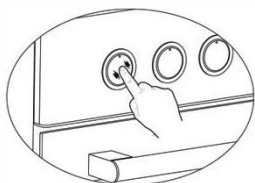
**Термостат:** пеште тамақ дайындаудың температурасын белгілеу үшін қолданылады. Тамақты пешке салғаннан кейін релені аударыңыз және қажетті температураны белгілеңіз. Әртүрлі тамақтарды дайындау температурасын білу үшін тамақ дайындау кестесін қараңыз.



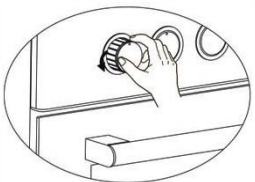
**Механикалық таймер\*:** тамақ дайындаудың уақытын белгілеу үшін қолданылады. Тамақ дайындаудың белгіленген уақыты аяқталған кезде таймер қыздыратын элементтерді өшіреді және сипатты дыбыс беріледі. Әртүрлі тамақтар дайындау туралы ақпаратты тамақ дайындау кестесінен қараңыз.

### Батырмалы ауыстырғыштарды пайдалану

Жылжитын ауыстырғыштары бар модельдерде баптауды тұтқа жылжытылған кезде ғана жүзеге асыруға болады.



Сол жақтағы суретте көрсетілгенде, тұтқа жылжу үшін тұтқаны басып, қоя беріңіз.



Тұтқа алға қарай жылжытылған кезде тұтқаны оңға емесе солға бұзаудың қажетті ауыстырғыштарын жүзеге асыруға болады.

### ПАЙДАЛАНУҒА БЕРУ

Алғаш рет пайдалану

Аспапты нұсқаулыққа сәйкес орнатуға қатысты жұмыстарды орындап болғаннан кейін келесі әрекеттерді жасау керек:

1. Тұмшапештің ішінде тұрған барлық этикеткалар мен аксессуарларды шығарыңыз және аспаптың сыртқы жағындағы қорғаныс үлдірін алып тастаңыз.
2. Аспаптың ішкі бөлігін шаңнан және қаптаманың бөліктерін дымқыл матамен сүртіңіз. Пештің іші бос болуы керек. Құралдың айырын розеткаға салыңыз.
3. Термостаттың релесін температураға 180–200 °C қойыңыз және пешке жабық есікпен 30 минут жұмыс істетіңіз. Бұл жерде жеңіл түтін мен иіс пайда болады, бұл – қалыпты жағдай.
4. Осы үдерістен кейін пештің сууын күтіңіз, ішкі бөлігін жылы сабынды сумен жуып, таза құрғақ орамалмен сүрте аласыз. Сіз енді өз пешіңізді қолдана аласыз.

### **Пешті стандартты пайдалануға беру**

1. Пісіруді бастау үшін термостат реттегішінің көмегімен қажетті температураны орнатыңыз.
2. Механикалық таймер\* бар үлгілерде таймерді басқару арқылы қажетті пісіру уақытын орнатуға болады. Белгіленген уақыт өткеннен кейін таймер қыздырғыштарды өшіріп, өзіне тән дыбыс шығарады.
3. Сандық бағдарламалаушысы\* бар үлгілерде бағдарламашы дисплейінде қажетті пісіру уақытын орнатуға болады. Орнатылған уақыт өткеннен кейін таймер жылытқыштарды өшіреді және дыбыстық сигнал береді.
4. Сандық таймер\* бар үлгілерде таймер дисплейінде қажетті пісіру уақытын орнатуға болады. Орнатылған уақыт өткенде, таймер дыбыстық сигнал береді (пеш қыздырғыштарын өшірмей). Пісіруді аяқтау қажет болса, пешті өшіру үшін термостат басқару құралын пайдаланыңыз.
5. Пісіру процедурасы аяқталғаннан кейін құрылғының салқындату жүйесі жұмысын жалғастырады. Бұл режимде құрылғы толығымен суығанша құрылғының қуатын өшірмеңіз. Салқындату аяқталғаннан кейін жүйе автоматты түрде өшеді.

(\* ) Сатып алу алдында сатушыдан таймер түрін тексеріңіз

### **Гриль\* тәртібін пайдалану**

1. Сіз азықтарды жоғарғы деңгейге салған кезде, олар грильдің қыздыратын элементімен жанаспауы керек.
2. Тұмшапешті гриль тәртібіне 5 минут ішінде қыздыруға кеңес беріледі.
3. Ауаның жақсы циркуляциясын қамтамасыз ету үшін тамақ тұмшапештің орасында болуы керек.

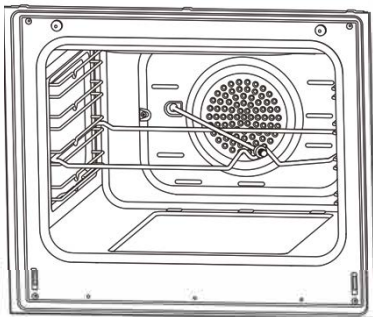
### **Грильді қосу үшін:**

1. Гриль тәртібін таңдаңыз;
2. Артынан оны керекті температураға орнатыңыз.

## Грильдi өшiру:

Функцияны таңдауды ауыстырғышты «Өшiрулi» күйiне келтiрiңiз.  
**ЕСКЕРТУ:** Грильде тамақ дайындаған кезде есiктi жабық ұстаңыз.

## Шанышқыны пайдалану

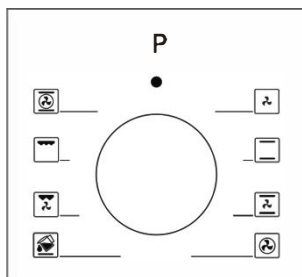


6-сурет

\* модельге байланысты

Шанышқыны жиектемеге орнатыңыз. Шанышқысы бар жиектеменi керектi деңгейге жылжытыңыз. Май жинауға арналған табаны төменгi бөлiкке орналастырыңыз. Келесi тазалауды жеңiлдету үшiн оның iшiне су құйып қойыңыз, шанышқыдан пластик тұтқаны шешудi ұмытпаңыз. Грильде тамақ дайындап болғаннан кейiн пластик тұтқаны шанышқыға орнатып, дайын тамақты тқмшәпештен шығарыңыз.

## Ас дайындау тәртіптерi



### Тұмшәпеш тәртіптерiн ауыстырғыш:

Тәртіптердiң саны тұмшәпеш моделiне байланысты болады.

Ас дайындау тәртіптердiң түрлерi\* мен оларға берiлетiн түсiнiктер төмнеде ұсынылған.

	Төменгi және жоғары қыздыру элементтерi		Төменгi және жоғары қыздыру элементтерi
	Төменгi қыздыру элементi және желдеткiш		Төменгi қыздыру элементi және желдеткiш
	Гриль мен шанышқы		Гриль мен шанышқы
	Жоғары қыздыру элементi және желдеткiш		Жоғары қыздыру элементi және желдеткiш
	Мульти-функционалдық тамақ дайындау (3D)		Мульти-функционалдық тамақ дайындау (3D)
	Төменгi қыздыру элементi		Төменгi қыздыру элементi
	Шағын гриль және желдеткiш		Шағын гриль және желдеткiш

**Төменгі қыздыру элементі:** Бәліштерді қытырлақ негізбен пісіру.  
**Жоғары қыздыру элементі:** Нанды қызарта түсу, тамақ дайындауды аяқтау.

**Төменгі және жоғары қыздыру элементі:** Азықтарды тұмшапеш шкафының бір деңгейінде дайындау.

**Төменгі қыздыру элементі және желдеткіш:** Салмасы бап пісірмені дайындау үшін қолданылады.

**Төменгі және жоғары қыздыру элементтері және желдеткіш:** Ет тағамдары мен лазанья дайындауға арналған.

\* модельге байланысты

**Тор (гриль):** Тор бифштекс, сосиска және балық сияқты тамақтарды грильде дайындау үшін қолданылады. Тамақты грильде дайындау кезінде тордың астына аздаған мөлшерлі суы бар қаңылтыр табаны орнату керек.

**Турбо қыздырғыш және желдеткіш:** Тамақты дайындау, қуыру және кептіруге арналған. Тәртіптегіге қарағанда 20-40 градус төмен температураны (жоғарғы және төменгі қыздыру) орнатыңыз.

**Гриль және желдеткіш:** Ет тағамдарын дайындауға арналған. Тамақты грильде дайындау кезінде тордың астына аздаған мөлшерлі суы бар қаңылтыр табаны орнату керек.

**Мульти-функционалдық тәртіп (3D):** Тұмшапеш шкафын ыстық ауаның ағысымен жылдам қыздыру үшін керек, сонымен қатар жоғары және төменгі қыздыратын элементтер де істейді. Қарқынды қыздыруды талап ететін тамақтарды қаңылтыр табада дайындауға арналған.

## **АС ДАЙЫНДАУҒА ҚАТЫСТЫ КЕҢЕСТЕР**

Біз өзіміздің зертханаларда тестілеуден өткізген тамақтарды дайындауға қатысты кеңестер төменде кестеде берілген. Тамақ дайындау уақыты желінің кернеуіне, азықтардың ерекшеліктеріне, мөлшері мен температурасына байланысты өзгеруі мүмкін.

Төменде ұсынылған кестені қолдану арқылы дайындалған тамақтар сіздің талғамыңызға сай келмеуі мүмкін. Сіз өздігіңізден өзіңізге сай келетін дайындау тәртіптерін таба аласыз.

**ЕСКЕРТУ:** Азықтарды тұмшапешке орналастырардың алдында оны алдын-ала 7-10 минут қыздырып алу керек.

## **Ас дайындау кестесі (6 функцияға дейін)**

Тамақ	Дайындау функциясы	Температура (°C)	Сәре	Уақыты (мин.)
Торт	төменгі+жоғары қызд.элемент/желдеткіш	170-180	2-3	35-45
Тәтті бәліш	төменгі+жоғары қызд.элемент/турбожелдеткіш	170-180	2	25-30
Бәліштер	төменгі+жоғары қызд.элемент/желдеткіш	180-200	2	35-45
Печенье	төменгі+жоғары қызд.элемент	170-180	2	20-25
Шарлотка	төменгі+жоғары қызд.элемент/турбожелдеткіш	180-190	1	50-70
Бисквит	төменгі+жоғары қызд.элемент	200/ 150*	2	20-25
Пицца	төменгі+жоғары қызд.элемент+желдеткіш	180-200	3	20-30
Лазанья	төменгі+жоғары қызд.элемент	180-200	2-3	25-40
Меренг (безе)	төменгі+жоғары қызд.элемент	100	2	50
Грильдегі тауық**	Гриль+желдеткіш	200-220	3	25-35
Қуырылған балық**	Гриль+желдеткіш	200-220	3	25-35
Сүйегі жоқ стейк**	Гриль+желдеткіш	Мах	4	15-20
Фрикадельки**	Гриль+желдеткіш	Мах	4	20-25

\*алдын-ала қыздырусыз. Тамақ дайындау уақытының алғашқы жартысы 200°C, қалған уақыты – 150°C температура кезінде.

\*\*Тамақ дайындаудың ұзақтығының ортасында азықты аудару керек.

### (8 функцияға дейін)

Тамақ	Дайындау функциясы	Температура (°C)	Сәре	Уақыты (мин.)
Торт	төменгі+жоғары қызд.элемент/желдеткіш	170-180	2-3	30-35
Тәтті бәліш	төменгі+жоғары қызд.элемент/турбожелдеткіш	170-180	2-3	25-30
Бәліштер	төменгі+жоғары қызд.элемент/турбожелдеткіш	180-200	2-3	30-35
Печенье	төменгі+жоғары қызд.элемент/тербожелдеткіш	170-180	2-3	20-30
Шарлотка	төменгі+жоғары қызд.элемент/турбожелдеткіш	180-190	2-3	40-50
Бисквит	төменгі+жоғары қызд.элемент	200/ 150*	2-3	25-30
Пицца	төменгі+жоғары қызд.элемент+желдеткіш	180-200	3	20-30
Лазанья	төменгі+жоғары қызд.элемент	180-200	2-3	20-25
Меренг (безе)	төменгі+жоғары қызд.элемент+желдеткіш	100	2-3	60-70
Грильдегі тауық**	Гриль/төменгі-жоғары+желдеткіш	200-220	2-3	25-30
Қуырылған балық**	Гриль	190-200-220	3-4	20-25
Сүйегі жоқ стейк**	Гриль	230	5	25-30
Фрикадельки**	Гриль	230	5	20-35

\*алдын-ала қыздырусыз. Тамақ дайындау уақытының алғашқы жартысы 200°C, қалған уақыты – 150°C температура кезінде.

\*\*Тамақ дайындаудың ұзақтығының ортасында азықты аудару керек.

## **Пицца пісіруге арналған тасты пайдалану**

Пицца пісіруге арналған тасты пайдаланған кезде тасты ордың үстіне қойыңыз және тұмшапешті пицца тәртібінде (турбо + төменгі қыздыру) 30 минут ішінде 230°C кезінде алдын-ала қыздырып алыңыз. Алдын-ала қыздырып алғаннан кейін пицца пісіруге арналған тасты алмай, пиццаны күрекшенің көмегімен тастың үстіне қойыңыз (қатырылған пиццаны салуға болмайды) және 20-25 минут ішінде 180° С температурада пісіріңіз. Пісіріп болғаннан кейін күрекшені пайдаланып, піскен пиццаны тұмшапегтен шығарыңыз.

**ЕСКЕРТУ:** Пицца пісіруге арналған тасты алдын-ала қыздырылған тұмшапешке салуға бомайды.

**ЕСКЕРТУ:** Пісіру аяқталғаннан кейін пицца пісіруге арналған тасты ыстық күйінде шығаруға және оны суық беттерге орналастыруға болмайды. Кері жағдайда пицца пісіруге арналған таста сызат пайда болуы мүмкін.

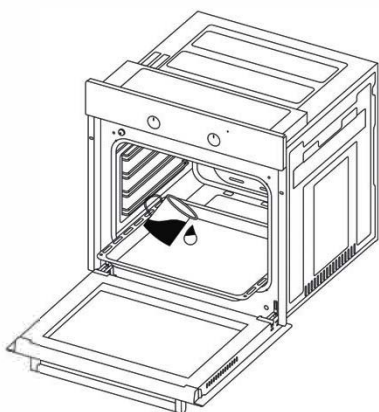
**ЕСКЕРТУ:** Пицца пісіруге арналған тасты ылғалдың әсеріне ұшыратуға болмайды.

## **КҮТІМ КӨРСЕТУ ЖӘНЕ ТАЗАЛАУ**

1. Қуаттандыру айырын розеткадан ажыратыңыз.
2. Тұмшапештің ішкі бөліктерін, панелін, қаңылтыр табаларын және басқа бөліктерін тазалау үшін қатты қылшақты, металл қылшақтарды немесе пышақтарды пайдалануға болмайды. Абразивтік, тырнайтын материалдар мен күйдіретін жуатын құралдарды пайдалануға болмайды.
3. Тұмшапештің бөліктерін сабынды ерітіндімен сүртіңіз, сумен жуып, артынан жұмсақ матамен құрғатып сүртіп алыңыз.
4. Әйнек беттерді әйнек тазалауға арналған арнайы құралдармен тазалаңыз.
5. Аспапты тазалау үшін бу-генераторлық тазартқыштарды пайдалануға болмайды.
6. Тұмшапешті тазалау үшін ешқашан қышқылды, еріткіштерді, керосин және басқа жанатын заттарды пайдалануға болмайды.
7. Тұмшапештің қандай да бір бөліктерін ыдыс жуатын машинада жууға болмайды.
8. Дақтар мен кірді кетіру үшін жұмсақ жуатын құралдарды пайдалану керек.



## Бумен тазалау



7-сурет

Кірді жібітетін су буының арқасында тұмшашешті оңай жууға көмектеседі.

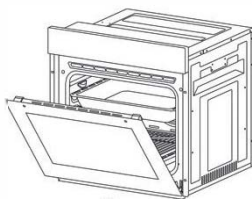
1. Барлық аксессуарларды тұмшашештен алып тастаңыз.
2. Жарты литр суды қаңылтыр табаға құйыңыз және оны тұмшашеш шкафының төменгі бөлігіне орналастырыңыз.
3. Ауыстырғышты бумен тазалау тәртібіне орнатыңыз.
4. Термостатты 70°C градусқа қойыңыз және пешті 30 минутқа қосыңыз.

5. Тұмшашеш 30 минут жұмыс істегеннен кейін есікті ашыңыз және ішкі бетті ылғалды орамалмен сүртіп алыңыз.

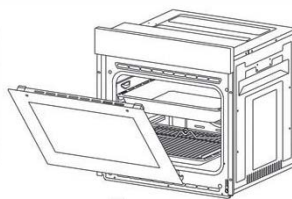
6. Қатты кірді жуу үшін ыдыс жууға арналған сұйықтықты, жылы су мен орамалды пайдаланыңыз, артынан тазартылған кеңістікті құрғатып сүртіп алыңыз.

\*моделіне байланысты

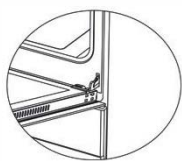
## Есіктерді тазалау және орнату



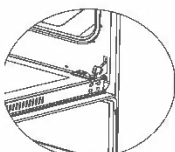
8-сурет



9-сурет



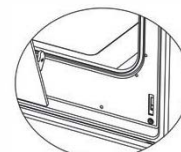
8.1-сурет



8.2-сурет



9.1-сурет



9.2-сурет

Пештің есігін өзіңізге қарай тартып, оны шегіне дейін ашыңыз. Артынан ілмектің құлпын бұрағыштың көмегімен тартыңыз және

**8.1-суретте** көрсетілгендей құлыпты ашу үдерісін орындаңыз.

Ілмектің құлпын **8.2-суретте** көрсетілгендей максималдық ашық күйге келтіріңіз. Есікті пешке қосып тұрған екі ілмекті де бірдей күйге келтіріңіз.

Одан кейін **9.1-суретте** көрсетілгендей есікті ілмектің құлпына тірелгенге дейін есікті ашыңыз.

Есікті шешу үшін **9.2-суретте** көрсетілгендей оны жабық күйге келтіріп, екі қолыңызбен жоғары қарай тартыңыз.

Есіктерді орнына орнату үшін шешу үшін сипатталған әрекеттердің бәрін кері тәртіпте жасап шығыңыз.

### Әйнекті тазалау

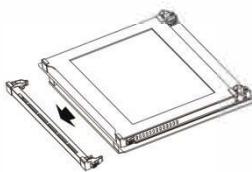
Есіктің сол және оң жағындағы пластик қысқыштарды 10-суретте көрсетілгендей басыңыз және планканы өзіңізге қарай тартыңыз (11-сурет).

Бейінді шешкеннен кейін әйнекті ақырын өзіңізге қарай тартыңыз (12-сурет). Сыртқы әйнек пештің есігінің бейінінде бекітілген.

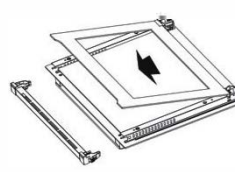
Әйнектерді шешкеннен кейін сіз оларды оңай тазарта аласыз. Тазалау және күту үдерістерін аяқтағаннан кейін үдерісті кері тәртіпте орындап, әйнекті орнына орнатыңыз. Бейіннің өз орнына берік орнатылғанына көз жеткізіңіз.



10-сурет



11-сурет



12-сурет

### Каталитикалық экрандар\*

Каталитикалық экрандар бағыттаушылардың астында оң және сол жақтан камерада орналасқан.

Каталитикалық экрандар майдық қалдықтарын сіңіреді және тұмшапеш жұмыс істеген кезде оны тазартады.

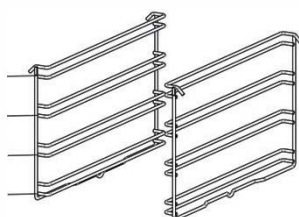
### Каталитикалық экрандарды шешу

Каталитикалық экрандарды шешу үшін бағыттаушыларды шығарыңыз. Олар осыдан кейін оңай шығады. Оларды 2-3 жылдан кейін ауыстыру керек.

\*моделіне байланысты

### Қаңылтыр табаның шешілмелі бағыттаушылары

4-деңгей  
3-деңгей  
2-деңгей  
1-деңгей



Тұмшапештің ішінде бағыттаушыларды орнатудың дұрыстығын сақтаңыз.

Бағыттаушылардың күйі суретте көрсетілген

## Бағыттаушыларды орнату және шеші

Бағыттаушыларды шешу үшін суретте бағдар арқылы көрсетілгендей қысқышты төмен қарай басыңыз. Бағыттаушыларды орнату үшін үдерісті кері тәртіпте орындаңыз.

## Шамды ауыстыру

**ЕСКЕРТУ:** Электрлік ток соғуға жол бермеу үшін шамды ауыстырардың алдында аспаптың электрлік қуаттан өшірілгендігіне көз жеткізіңіз. Тұмшапештің суығанын тексеріңіз.

Әйнек плафонды 13, 14-суретте көрсетілгендей (шамның типіне байланысты) бұрып, шешіңіз.

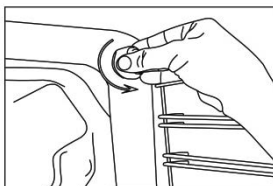
Плафонды бұрған кезде қиындық туса, қолғапты қолдану керек. Артынан ескі шамды шешіп алып, сондай сипаттамасы бар жаңа шамды орнатыңыз.

Плафонды орнына орнатыңыз, қуаттандыру шоғырсымын розеткаға қосыңыз және шамды ауыстыру үдерісін аяқтаңыз. Енді тұмшапешті пайдалануға болады.

\*моделіне байланысты

### G9 типті шам

### E14 типті шам



220-240 V, AC  
15-25 W

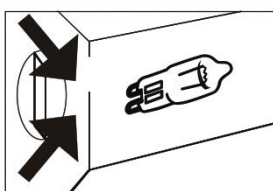
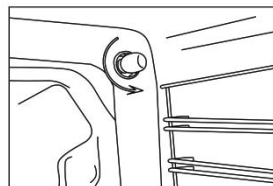


Figure 13



220-240 V, AC  
15 W



Figure 14

## БҰЗЫЛЫСТАРДЫ ІЗДЕУ ЖӘНЕ ЖОЮ

Егер тұмшапешке қатысты мәселе туған болса, онда төменде берілген кестені пайдалана отырып, бұзылысты жоюға тырысыңыз.

## Ықтимал бұзылыстар

Бұзылыс	Ықтимал себебі	Жоюға қатысты кеңестер
Тұмшاپеш жұмыс істемейді	Қуаттандыру көзі қолжетімсіз	Электрлік қуаттың бар-жоқтығын тексеріңіз
Тұмшاپеш тамақ дайындау кезінде тоқтап қалады	Айыр розеткадан шығып кетуі мүмкін	Штепсельдік айырды розеткаға салыңыз
Тұмшاپеш тамақ дайындау кезінде өшіп қалады	Тым ұзақ уақыт ішінде үздіксіз жұмыс жасалған	Тамақ дайындаудың ұзақ циклінен кейін тұмшاپешті суыту керек
	Салқындататын желдеткіш жұмыс істемейді	Салқындататын желдеткіштің дыбысын тыңдаңыз
	Тұмшاپеш нашар желдетілетін жерге орнатылған	Пайдалануға беру жөніндегі нұсқаулықта көрсетілген тесіктердің барлығы сақталғанына көз жеткізіңіз
	Бір розеткаға бірнеше құралдар қосылған	Розеткаға бір ғана аспапты қосыңыз
Аспаптың сыртқы беті жұмыс кезінде қызады	Тұмшاپеш нашар желдетілетін жерге орнатылған	Пайдалануға беру жөніндегі нұсқаулықта көрсетілген тесіктердің барлығы сақталғанына көз жеткізіңіз
Тұмшاپештің есіктері дұрыс ашылмайды	Ілмектер мен тығыздағыштар кірленген	Тұмшاپешті тазалап, есікті қайта ашып көріңіз
Ішкі жарық күңгірт немесе қосылмайды	Плафон кірленген	Плафонды тазалаңыз
	Шамның бұзылуы мүмкін	Сондай сипаттамасы бар жаңа шамды орнатыңыз
Тұмшاپешке қол тиген кезде электрлік тогы соғады	Тұйықтандыру тиісті жолмен орындалмаған	Аспаптың тұйықтандыруы бар розеткаға қосылғандығына көз жеткізіңіз
	Тұйықтандыруы жоқ розетка қолданылуда	
Тұмшاپештің тесіктерінен бу шығады	Су немесе бу дайындалатын тамаққа байланысты анықталған жағдайларда пайда болуы мүмкін. Бұл аспаптың бұзылысы болып табылмайды.	Тұмшاپешті суытып, матамен сүртіп алыңыз.
Тұмшاپеште су бар		
Суытатын желдеткіш тамақ дайындап болғаннан кейін жұмыс істеуді жалғастыруда	Желдеткіш тұмшاپештің ішкі көңістігін желдету үшін уақыттың нақты кезеңінде жұмыс істейді	Бұл аспаптың бұзылысы болып табылмайды, қам жеуге себеп жоқ
Тұмшاپеш қызбайды	Тұмшاپештің есігі ашық	Есікті жауып, тұмшاپешті қайтадан қосыңыз
	Тұмшاپештің тәртібі дұрыс емес орнатылған	Тұмшاپештің жұмысына қатысты бөлімді оқыңыз (таймерді орнатуды тексеріңіз)*
	Автоматты түрдегі өшіргіш қосылған	Автоматты түрде өшіргішті қосыңыз. Егер қшіргіш қайта қосылса, онда электрлік шақырыңыз
Жұмыс істеген кезде түтін шықты	Тұмшاپешті алғаш рет қосқанда	Қыздырғыштар күйеді. Бұл бұзылыс болып табылмайды
	Қыздырғышта тамақтың қалдықтары бар	Тұмшاپешті қыздырып, тұмшاپештің түбіндегі және үстіңгі қыздырғыштың бетіндегі тамақтың қалдықтарын тазалаңыз
Тұмшاپеш жұмыс істеген кезде күйгеннің немесе пластиктің иісі шығады	Тұмшاپеште пластик немесе термотұрақсыз ыдыс қолданылуда	Жоғары температураға арналған ыдысты қолданыңыз
Тұмшاپеш дұрыс тамақ пісірмейді	Тұмшاپештің есігі тамақ дайындаған кезде жиі ашылады	Егер сіз дайындап жатқан тамақ аударуды талап етпейтін болса, онда тұмшاپештің есігін жиі ашпаңыз. Егер сіз есікті жиі ашатын болсаңыз, онда ішкі температура құлайды, бұл тамақ дайындаудың нәтижесіне әсер ететін болады

### Тасымалдау ережелері

1. Аспапты тасыған немесе тасымалдаған кезде тұмшاپештің есігін және/немесе тұтқасын қолдануға болмайды.
2. Аспапты түпнұсқалық қаптамада тасу және тасымалдау керек.
3. Аспапты жүктегенде, жүктен түсіргенде өте сақ болу керек.

4. Тасу және тасымалдау алдында қаптаманың берік жабық екендігіне көз жеткізіңіз.
5. Аспапты қаптаманы бұзуы мүмкін сыртқы факторлардың (мысалы, ылғал, су ж.т.б.) әсерінен қорғау керек.
6. Тасу және тасымалдау кезінде аспапты соққыдан сақтау керек.

### **ЭНЕРГИЯНЫ ҮНЕМДЕУГЕ ҚАТЫСТЫ КЕҢЕСТЕР**

Берілген кейбір кеңестер сізге аспапты ыңғайлы пайдалануға беруге және электр энергиясын үнемдеуге көмектеседі.

1. Жылу өткізгіштігі жоғары қара және эмальданған ыдыстарды пайдаланыңыз.
2. Егер ол рецептте көрсетілген болса, тұмшапешті алдын-ала қыздырып алыңыз.
3. Тамақ дайындаған кезде тұмшапештің есігін ашпаңыз.
4. Сіз екінші тамақты басқа деңгейге қойып, бір уақытта бірнеше тамақ пісіре аласыз.
5. Тамақты бірінің артынан бірін дайындаңыз. Тұмшапеш жылуын жоғалтпайды.
6. Тамақ дайындау уақыты аяқталғанға дейін тұмшапешті бірнеше минутқа өшіріңіз. Бұл жағдайда тұмшапештің есігін ашпаңыз.
7. Тамақ дайындаудың алдында қатырылған тамақ азықтарын ерітіп алыңыз.

### **ЭКОЛОГИЯЛЫҚ ҚАУІПСІЗ КӘДЕГЕ АСЫРУ**

1. Осы бұйымның құрамында қауіпті және тыйым салынған заттар жоқ. Электрлік және электрондық жабдықтардың қалдығы туралы ЕК директивасының (WEEE) ережелерінің талаптарына сәйкес келеді.
  2. Осы бұйым қайта өңделіп, екінші рет пайдаланыла алатын жоғары сапалы бөлшектер мен материалдардан жасалған.
  3. Өз бұйымыңызды оның қызмет ету мерзімі аяқталғаннан кейін басқа тұрмыстық қалдықтармен тастауға болмайды. Оны электрлік және электрондық жабдықтардың қалдықтарын қайта өңдеуге арналған жинақ орнына өткізу керек.
- Жұмыс жасап болған бұйымдарды қайта өңдеу жолы арқылы қоршаған орта мен табиғи көздерді қорғауға көмектесуді сұраймыз.

## Тасымалдау ережелері

1. Аспапты тасыған немесе тасымалдаған кезде тұмшашпештің есігін және/немесе тұтқасын қолдануға болмайды.
2. Аспапты түпнұсқалық қаптамада тасу және тасымалдау керек.
3. Аспапты жүктегенде, жүктен түсіргенде өте сақ болу керек.



## Шығарған ел –Түркия

### Өндіруші:

**«СЕРСИМ ДАЙАНЫҚЛЫ ТЮКЕТИМ МАЛЛАРЫ САНАЙИ ВЕ ТИДЖАРЕТ КОЛЛЕКТИФ ШИРКЕТИ ИБРАХИМ ВЕ МУСТАФА УСТАОГОЛУ»,**

Заңды мекен-жайы: Кайсери Сербест Бёлгеси Анбар СВ Махаллеси Джадде Серсим ситеси KSR-125/130, Апатрман №17, Меликгази, Кайсери, Түрция  
 Өндіріс мекен-жайы: Сербест Бёлге, 12 Джадде №18, Меликгази, Кайсери, Түрция

**«SERSIM DAYANIKLI TUKETIM MALLARI SANAYI VE TICARET KOLLEKTIF SIRKETI IBRAHIM VE MUSTAFA USTAUGLU»,**

Заңды мекен-жайы: Kayseri Serbest Bolgesi, Anbar SB Mahallesi, 12 Cadde, Sersim Sitesi, KSR-125/130, Apartman №17, Melikgazi, Kayseri, Turkiye  
 Өндіріс мекен-жайы: Serbest Bolge 12. Cadde No.18, Melikgazi, Kayseri, Turkiye

Сатып алушылардан шағымдар қабылдауға құзіретті импорттаушы / ұйым: ЖШС «Foreign Trade company», БСН 190940025588. Заңды / нақты мекен-жайы: Қазақстан Республикасы Алматы, Назарбаев даңғылы, 65 үй, 519 кеңсе.

Кепілдік жағдай туындаған болса, авторландырылған қызмет көрсету орталықтарына жүгіну қажет. Сіздің қаладағы авторландырылған қызмет көрсету орталықтарының тізімі осы пайдалану нұсқаулығында көрсетілген.

Егер Сіздің қалада авторландырылған қызмет көрсету орталығы болмаса, тауарды сатып алған дүкенге жүгінуіңіз керек. Сіздің қаладағы қызмет көрсету туралы ақпаратты келесі телефон нөмірлері арқылы біле аласыз:

8 (771) 748 20 21

Жарамдылық мерзімі – 12 ай  
 Қыет мерзімі – 10 жыл  
 Тегін кепілдік қызмет - Кепілдік мерзімі аяқталған күннен бастап - 4 жыл  
 Дайындалған күні – өнімде нұсқалған

